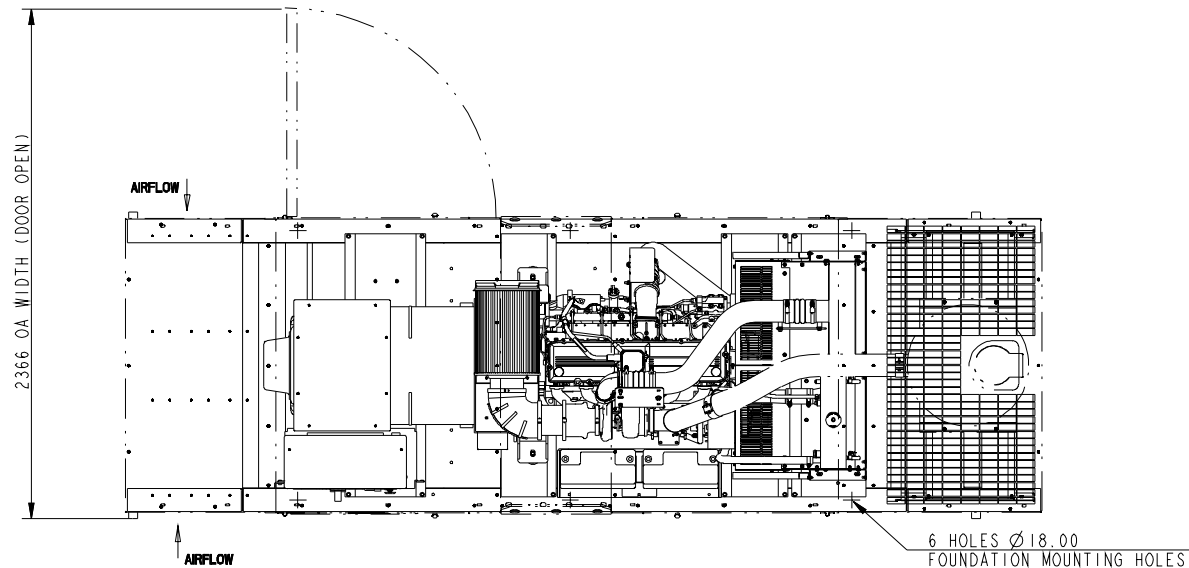


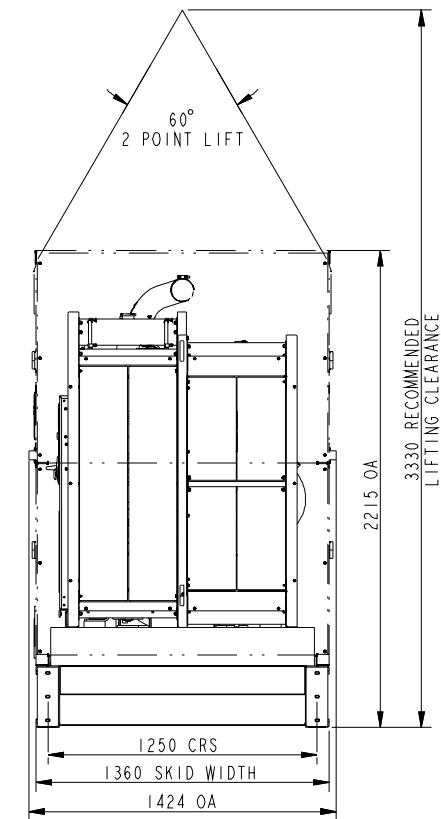
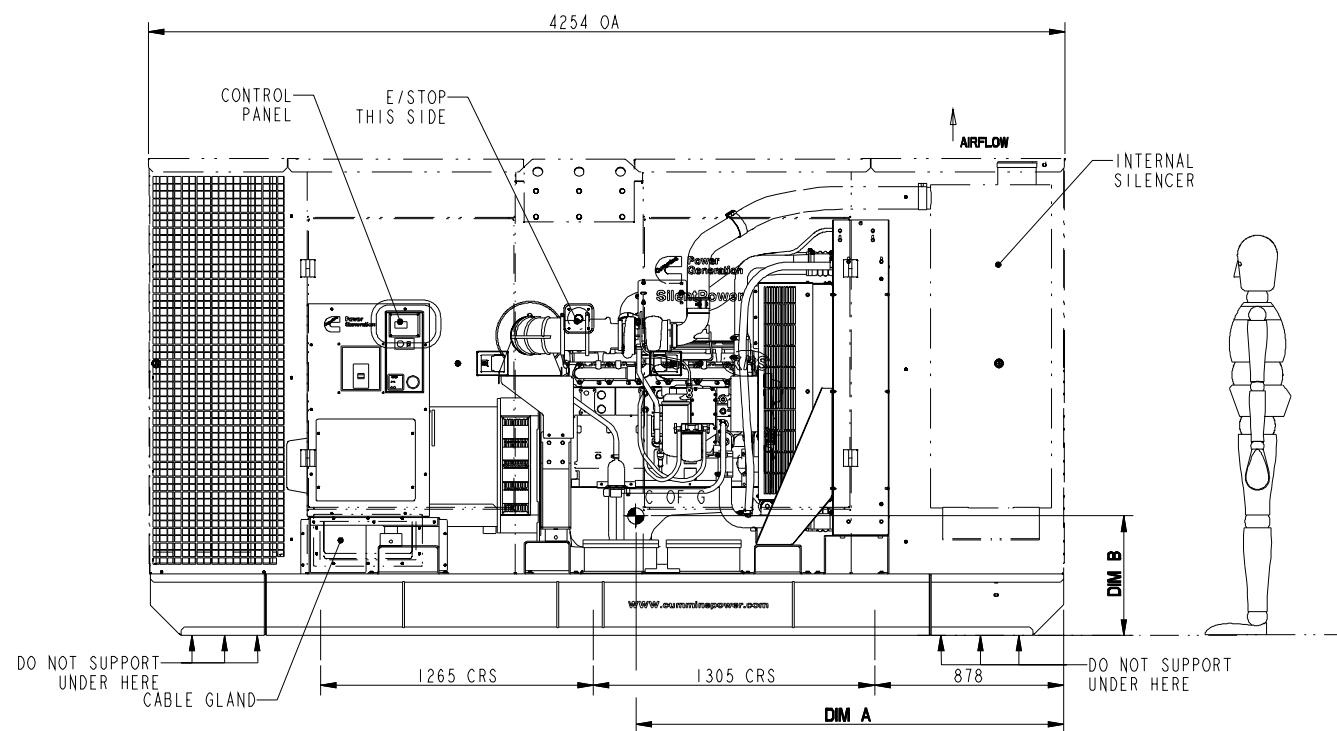
0500-4478 A1 PRO/ENGINEER

REL NO	LTR NO	REVISION	ZONE	DR	CHKR	APPROVED	DATE
ERK12403	A	PRODUCTION RELEASE	-	NU	JM	M BARGENT	02-02-06
ERK13053	B	GUSSETS ADDED TO CROSSMEMBERS	-	NU	JM	M BARGENT	26/05/06



INSTALLATION NOTES :-

- PLEASE ALLOW THE FOLLOWING PARAMETER CLEARANCES AROUND THE ENCLOSURE SIDE (INC OPEN DOORS) 500mm ABOVE THE CANOPY 1000mm
- PLEASE REFER TO MANUAL FOR 2 POINT LIFTING INSTRUCTIONS
- TERMS AND CONDITIONS CAN BE FOUND AT THE FOLLOWING :- WWW.CUMMINSPOWER.COM/TERMS



MODEL	ENGINE	ALTERNATOR	DRY WEIGHT	WET WEIGHT	WET WEIGHT WITH FUEL	C OF G DIM A	C OF G DIM B
C275D5/C250D6	QSL9G5	UCD274K	3872	3924	4511	1792	664
C275D5/C250D6	QSL9G5	HC4D	4095	4147	4734	1823	666
C300D5/C275D6	QSL9G5	HC4D	4095	4147	4734	1823	666
C330D5/C300D6	QSL9G5	HC4D	4095	4147	4734	1823	666
C330D5/C300D6	QSL9G5	HC4E	4175	4227	4814	1835	668

FUEL TANK VOLUME - 904 LTRS

DO NOT SCALE PRINT	TOLERANCE UNLESS STATED ALL DIMENSIONS IN MM	SW TO	NAME	DATE		CUMMINS POWER GENERATION COLUMBUS AVENUE, MANSTON, RANSGATE KENT, CT12 5BF, ENGLAND, UK
	1 ± 0.3 2 ± 0.5 3 ± 0.5 4 ± 0.5 5 ± 0.5 6 ± 0.5 7 ± 0.5 8 ± 0.5 9 ± 0.5 10 ± 0.5 11 ± 0.5 12 ± 0.5 13 ± 0.5 14 ± 0.5 15 ± 0.5	COPY/ED LEAD THIRD ANGLE PROJECTION	DRAWN N. ULLAH	01-02-06		
ANG TOL ± 1.0°	6.00 - 6.00 6.00 - 6.00 6.00 - 6.00 6.00 - 6.00 6.00 - 6.00 6.00 - 6.00 6.00 - 6.00 6.00 - 6.00 6.00 - 6.00 6.00 - 6.00 6.00 - 6.00 6.00 - 6.00 6.00 - 6.00 6.00 - 6.00 6.00 - 6.00	FOR INTERPRETATION TOLERANCES USE AND TOLERANCE MAP	CHECK J. MATTHEWS	02-02-06	SITE CODE	PGK
DRAWN TO SCALE OF: 1:15	THIS DOCUMENT IS THE PROPERTY OF CUMMINS POWER GENERATION. IT CONTAINS PROPRIETARY AND CONFIDENTIAL INFORMATION WHICH MUST NOT BE REPRODUCED, COPIED OR DISCLOSED OTHER THAN EXPRESSLY AUTHORIZED BY CUMMINS POWER GENERATION OR ITS REPRESENTATIVE.	APPD M. BARGENT	DATE 02-02-06	PGK	SWP NO 0500-4478	SHEET NO 1 of 1