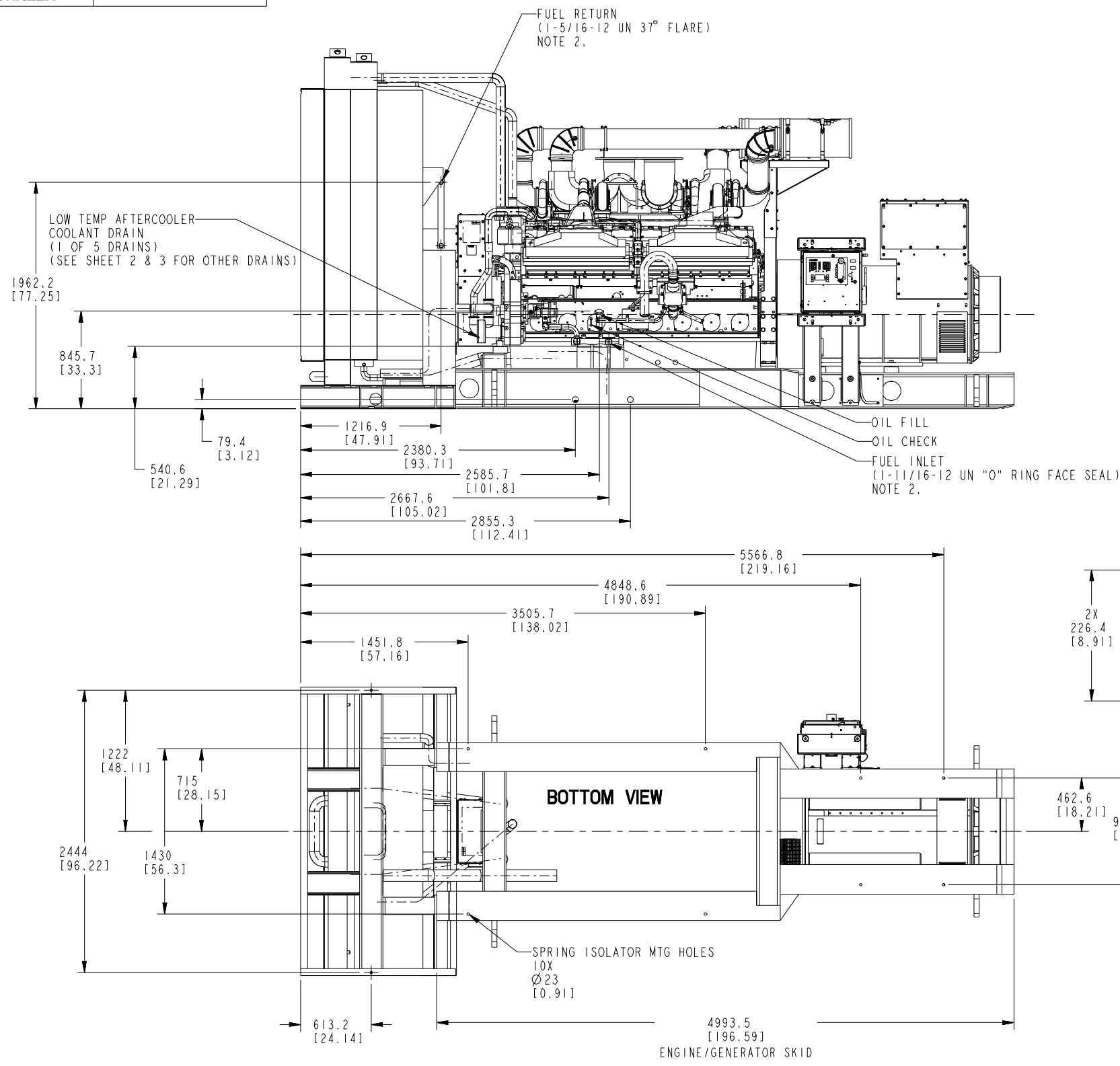
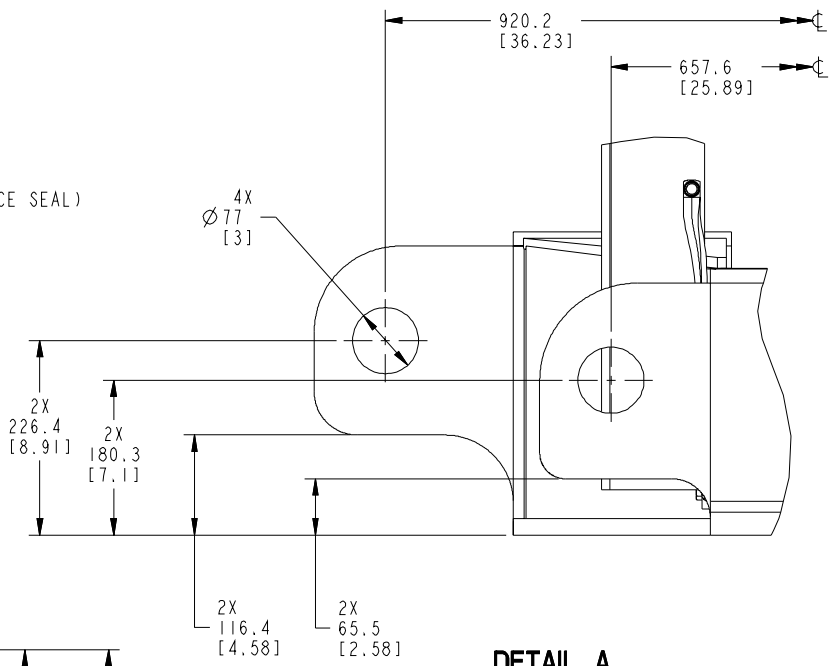


REL NO	LTR	NO	REVISION	ZONE	DR	CHKR	APPROVED	DATE
FRD17478	A	1	PRODUCTION RELEASE	-	MTA	BH	HENNING	08-01-03
FRD19449	B	-	-	-	-	-	-	-
FRD20897	C	-	-	-	-	-	-	-
FRD20842	D	-	-	-	-	-	-	-



NOTE:  
 1. DIMENSIONS SHOWN IN [ ] BRACKETS ARE INCHES.  
 2. FUEL INLET HOSE Ø22.2 [Ø.88] X 1300 [51.2] LONG WITH 1-1 1/2 NPTF EXTERNAL FITTING.  
 FUEL OUTLET HOSE Ø22.2 [Ø.88] X 2642 [104] LONG WITH 1-1 1/2 NPTF EXTERNAL FITTING.



**DETAIL A**  
 GENSET LIFTING BRACKETS  
 SCALE 1/4

**RADIATOR COOLED**

TOLERANCE UNLESS OTHERWISE SPECIFIED		DIM TO		ITEM	PART NO	DR	DESCRIPTION OR MATERIAL	REF
mm		inch		NAME		DATE		<b>CUMMINS POWER GENERATION</b> 4000 75th AVE NE MINNEAPOLIS, MINNESOTA 55432
mm		inch		DR		DATE		
0.00 - 4.99		+0.15/-0.00		M.T.ABEL		08-01-03		
5.00 - 9.99		+0.20/-0.10		B.HENNING		08-01-03		
10.00 - 17.99		+0.25/-0.13		B.HENNING		08-01-03		
18.00 - 24.99		+0.30/-0.15		DQKH		PGA		

DO NOT SCALE PRINT  
 ANG TOL ± 1.0 °  
 DRAWN TO -3/64  
 SCALE OF

THIS DOCUMENT IS THE PROPERTY OF CUMMINS POWER GENERATION. IT CONTAINS PROPRIETARY AND CONFIDENTIAL INFORMATION WHICH MUST NOT BE DISCLOSED OR REPRODUCED IN ANY MANNER WITHOUT THE EXPRESS WRITTEN PERMISSION OF CUMMINS POWER GENERATION OR ITS REPRESENTATIVE.

FOR INTERPRETATION OF DIMENSIONS AND TOLERANCES, SEE ANST 712, SM-1982

TITLE: GENSET\_OUTLINE  
 SHEET: 4 of 7  
 DATE: 08-01-03  
 DRAWN BY: DQKH  
 CHECKED BY: B.HENNING  
 APPROVED BY: B.HENNING