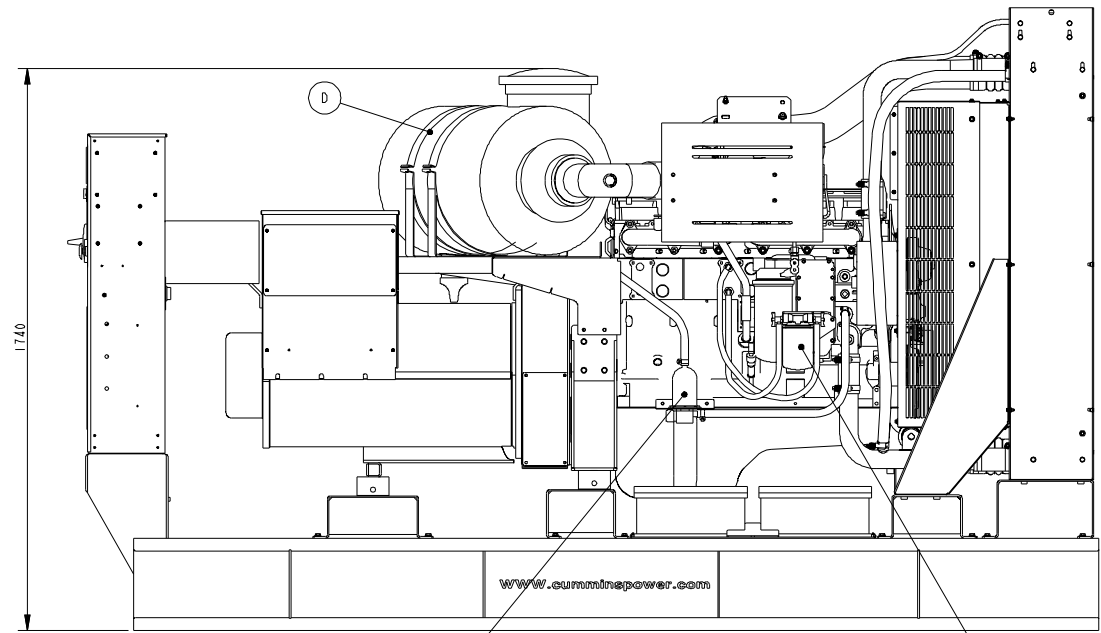
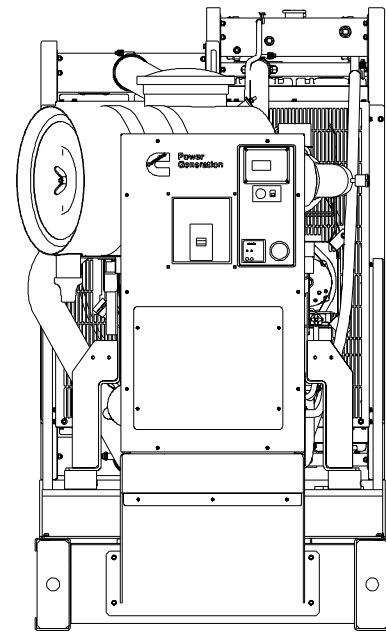
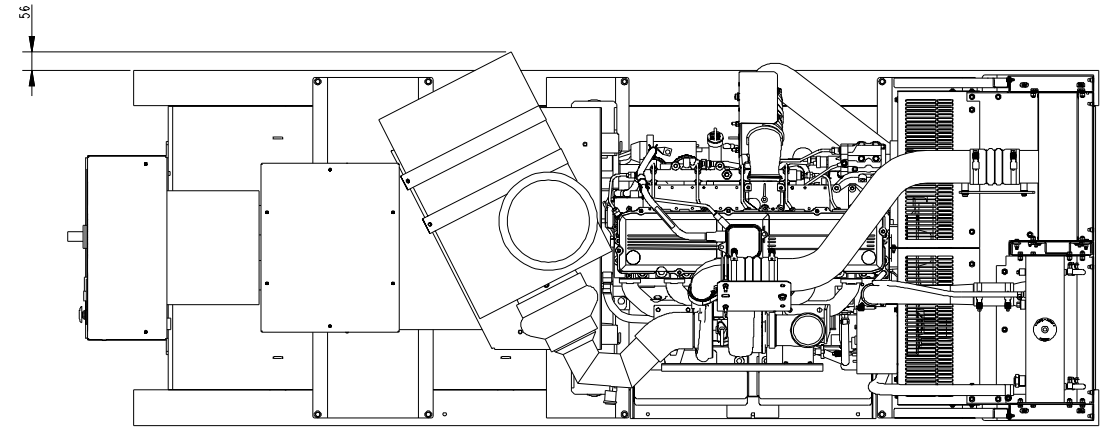
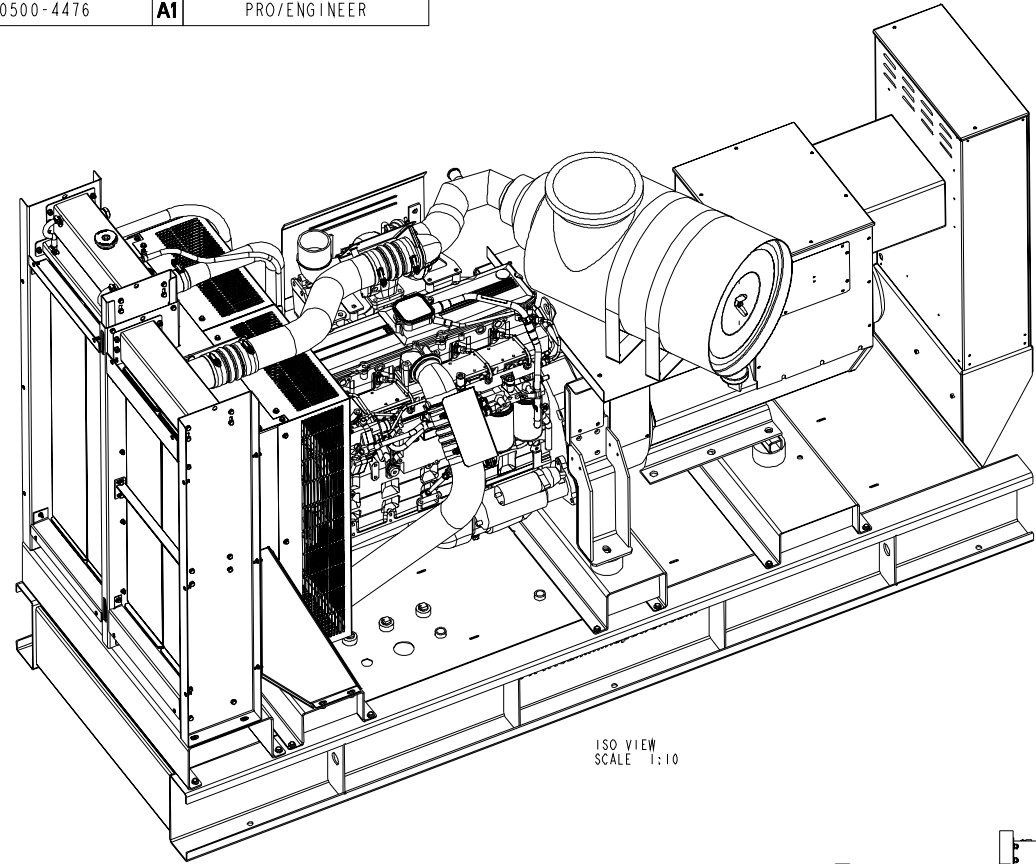


0500-4476 A1 PRO/ENGINEER

| REL NO | LTR | NO | REVISION | ZONE | DR | CHKR | APPROVED | DATE |
|----------|-----|----|-------------------------------|------|----|------|-----------|----------|
| ERK12403 | A | I | PRODUCTION RELEASE | - | JM | CK | M BARGENT | 02-02-06 |
| ERK13053 | B | I | GUSSETS ADDED TO CROSSMEMBERS | - | NU | JM | M BARGENT | 26/05/06 |



VIEWS SHOWING uc274 ALTERNATOR
WITH HEAVY DUTY AIR CLEANER

| | | | | | | | | | | | |
|--|---|---|---|--|--|--|-------------------------|------------------|-----------------------|----------------------|----|
| DO NOT SCALE PRINT TOLERANCE UNLESS STATED ALL DIMENSIONS IN MM 1 ± 0.3 2, X ± 1 Y, XX ± 0.5 ANG TOL ± 1.0° DRAWN TO SCALE OF: 1:10 | DIM HOLE 6.00 - 6.00 +0.15/-0.00 6.00 - 6.00 +0.20/-0.10 6.00 - 6.00 +0.20/-0.10 11.50 - 11.50 +0.30/-0.10 | FIN TO COATED LEAD THE PROD. ANGLE PROJECTION | NAME N. ULLAH J. MATTHEWS M. BARGENT | DATE 24/01/06 24/01/06 24/01/06 | | CUMMINS POWER GENERATION COLUMBUS AVENUE, MANSTON, RANSGATE KENT, CT12 5BF, ENGLAND, UK | TITLE GENSET OUTLINE | SITE CODE PGK | SHEET NO 0500-4476 | SHEET SIZE 2 of 2 | A1 |
| | | | | | | | | | | | |