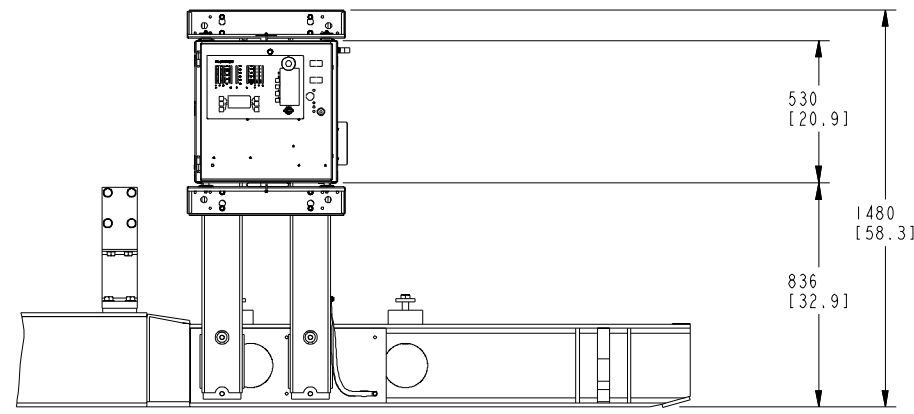
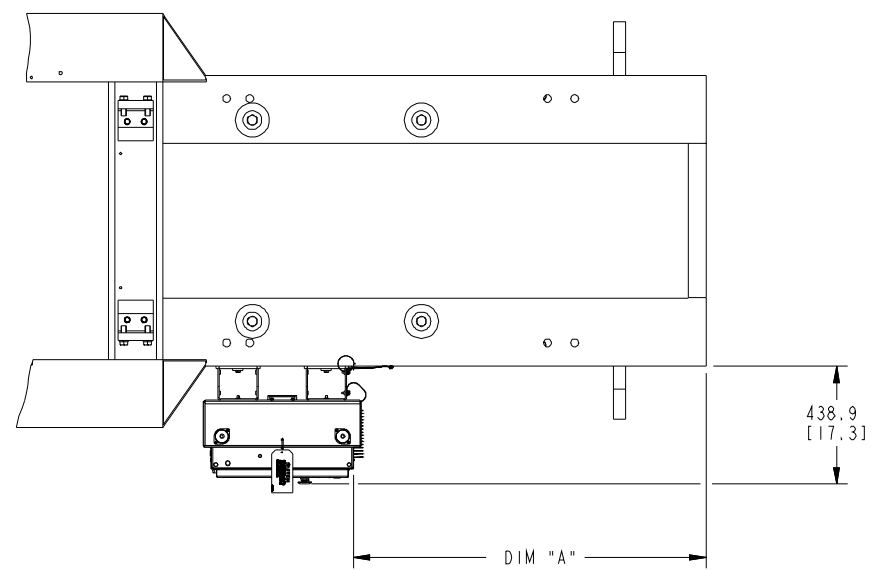
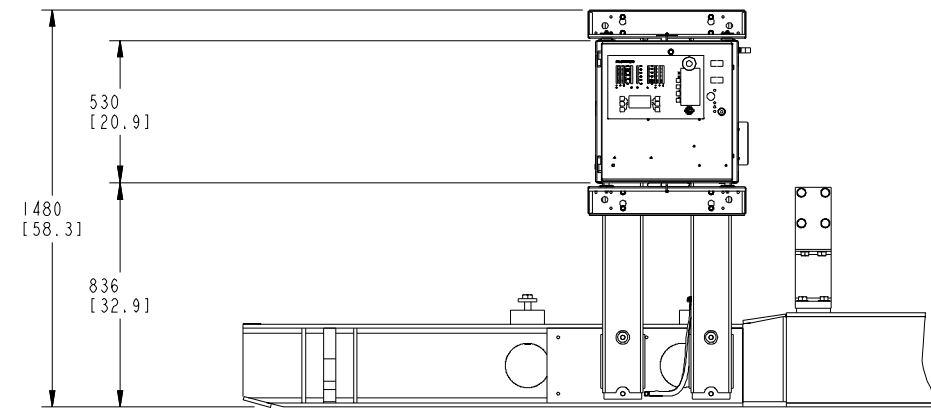
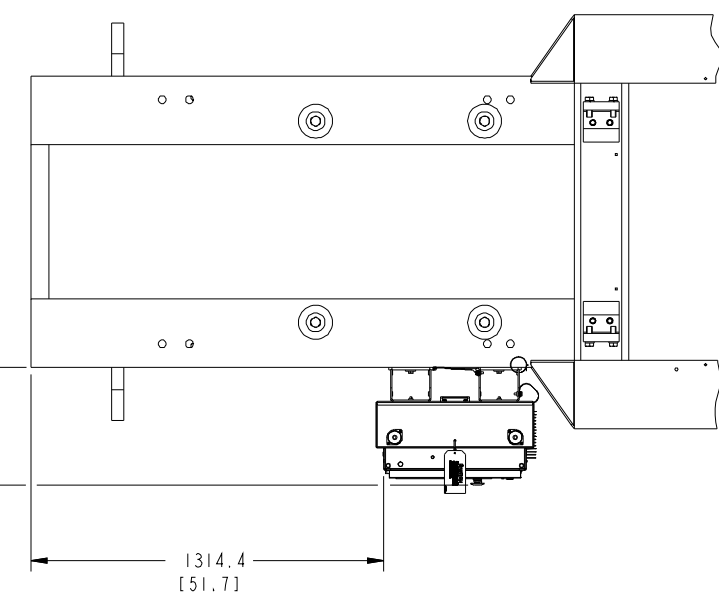


REL NO	LTR	NO	REVISION	ZONE	DR	CHKR	APPROVED	DATE
FRD17478	A	1	PRODUCTION RELEASE	-	MTA	BH	HENNING	08-01-03
FRD19449	B	-	-----	-	-	-	-	-
FRD20897	C	-	-----	-	-	-	-	-
FRD20842	D	-	-----	-	-	-	-	-
FRD21946	E	-	-----	-	-	-	-	-



H609



H608

TABULATION	
GEN	DIM "A"
P7	1314.4 [51.7]
P80	1073.7 [42.2]

REMOTE COOLED

TOLERANCE UNLESS OTHERWISE SPECIFIED		DIM TO		ITEM	PART NO	DR	DATE	DESCRIPTION OR MATERIAL	REF
mm		inch		NAME		DATE		REF	
X ± 1		.XX ±		DR M.T.ABEL		08-01-03		CUMMINS POWER GENERATION	
.XX ± 0.8		.XX ±		CHGR B HENNING		08-01-03		400 790D AVE NE	
.XX ± 0.38		.XX ±		MFG		08-01-03		MINNEAPOLIS, MINNESOTA 55432	
ANG TOL ± 1.0		ANG TOL ± 1.0		APPROVED B HENNING		08-01-03		TITLE GENSET_OUTLINE (E043)	
DRAWN TO 1/1		DRAWN TO 1/1		FOR INTERPRETATION OF DIMENSIONS AND TOLERANCES, SEE ANS1 Y14.5M-1982		DQKH		SITE CODE PGA	
SCALE OF		SCALE OF		MODEL FIRST USED ON		DQKH		DWG NO 0500_3878	
								SHEET 4 of 7	
								Dwg Title	