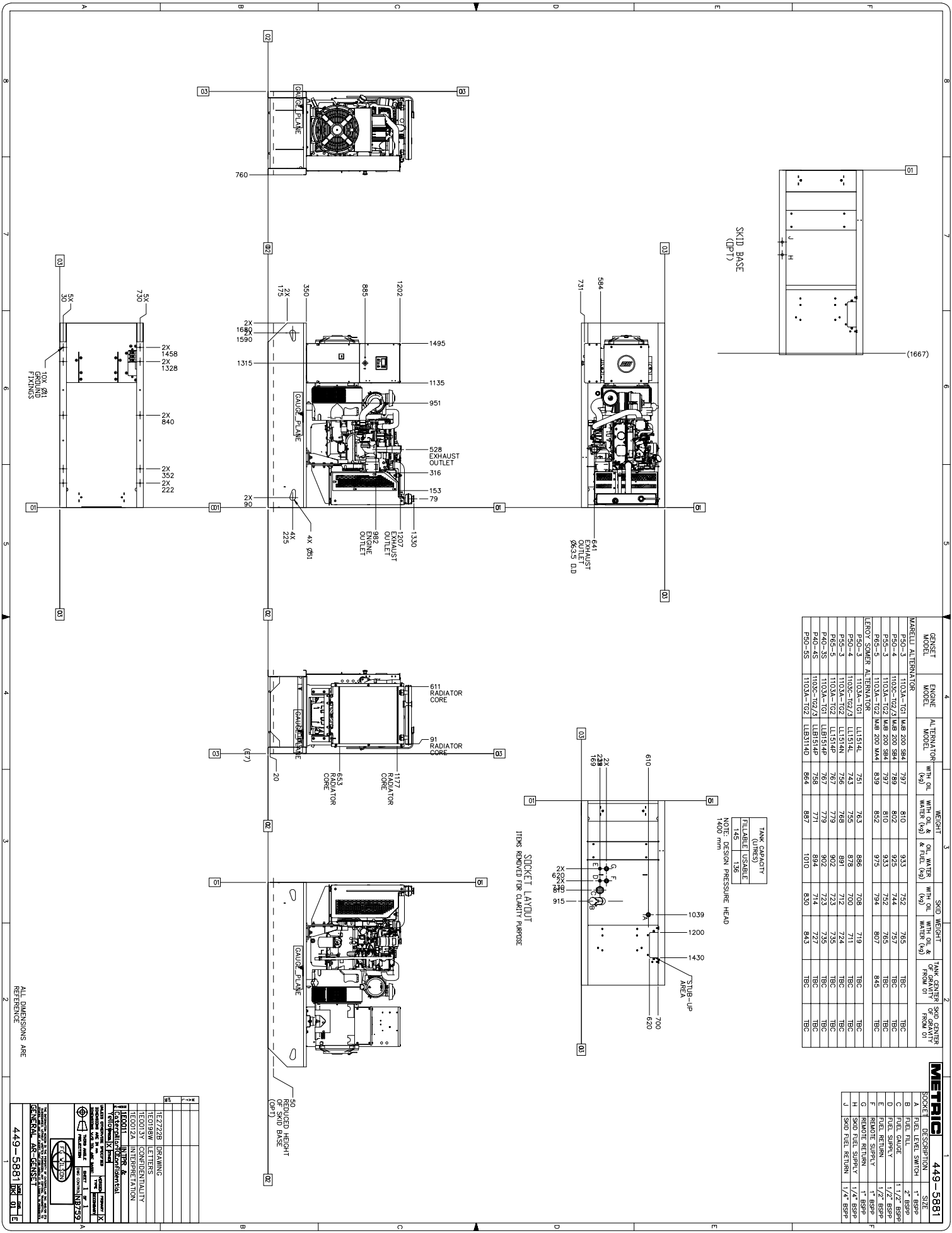
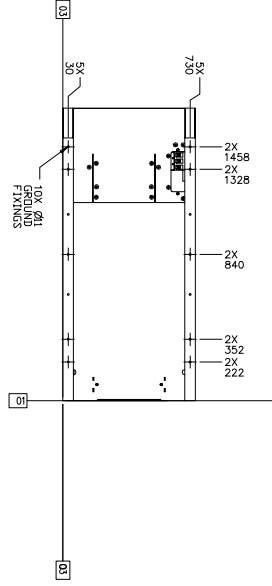
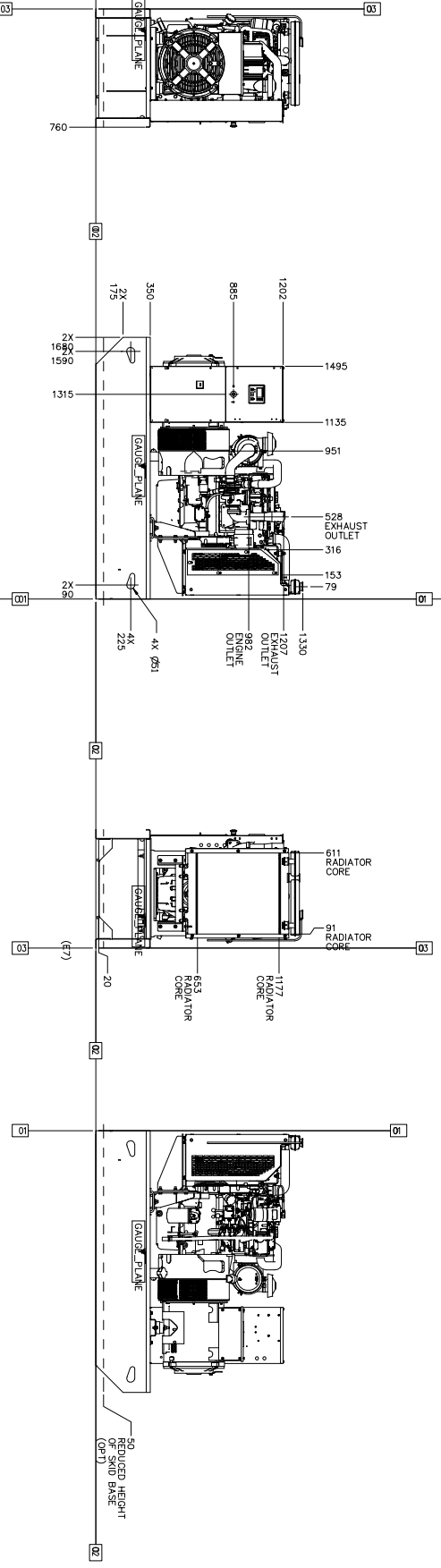
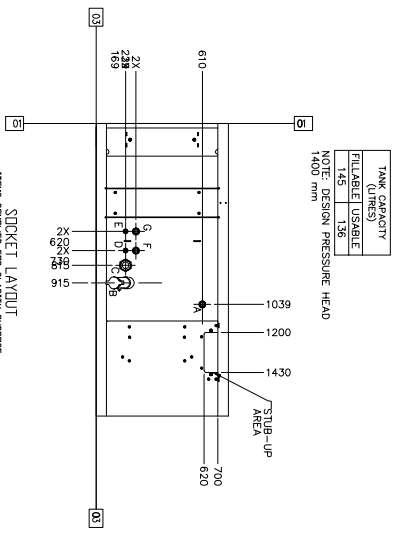
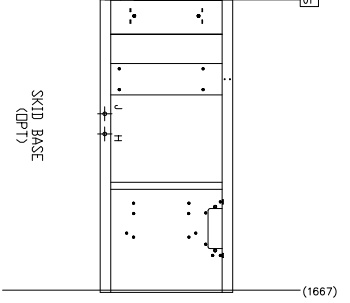


GENSET MODEL	ENGINE MODEL	ALTERNATOR MODEL	WEIGHT		SKID WEIGHT		TANK WEIGHT		SKID CENTER OF GRAVITY	
			WITH OIL & WATER (kg)	WITH OIL & FUEL (kg)	WITH OIL (kg)	WITH OIL & WATER (kg)	FROM O1	FROM O1		
MARELLI ALTERNATOR										
P50-3	1103A-1G1	MA8 200 984	797	810	933	792	765	TBC	TBC	TBC
P50-4	1103C-1G2/3	MA8 200 984	789	802	925	744	757	TBC	TBC	TBC
P50-5	1103A-1G2	MA8 200 984	797	810	933	792	765	TBC	TBC	TBC
P50-6	1103A-1G2	MA8 200 984	839	852	975	794	807	843	TBC	TBC
FEROV SOMER ALTERNATOR										
P50-3	1103A-1G1	LL1514L	751	763	886	708	719	TBC	TBC	TBC
P50-4	1103C-1G2/3	LL1514L	743	755	878	700	711	TBC	TBC	TBC
P50-5	1103A-1G2	LL1514N	756	768	891	712	724	TBC	TBC	TBC
P65-5	1103A-1G2	LL1514P	767	779	902	723	735	TBC	TBC	TBC
P40-3S	1103A-1G1	LL1514P	767	779	902	723	735	TBC	TBC	TBC
P40-4S	1103C-1G2/3	LL1514P	758	771	894	714	727	TBC	TBC	TBC
P50-5S	1103A-1G2	LL1514D	864	887	1010	830	843	TBC	TBC	TBC

SOCKET DESCRIPTION	SIZE
A FUEL IN	1" BSP
B FUEL RETURN	1/2" BSP
C FUEL GAUGE	1 1/2" BSP
D FUEL SUPPLY	1/2" BSP
E FUEL RETURN	1/2" BSP
F REMOTE SUPPLY	1" BSP
G REMOTE RETURN	1" BSP
H SKID FUEL SUPPLY	1 1/4" BSP
J SKID FUEL RETURN	1/4" BSP



ALL DIMENSIONS ARE IN MILLIMETERS

GENERAL ARE GENSET

449-5881 BRD 01 E

DATE: 2010-01-15

DESIGNED BY: [Name]

CHECKED BY: [Name]

APPROVED BY: [Name]

REVISIONS:

NO.	DESCRIPTION	DATE
1	ISSUE FOR DRAWING	2010-01-15
2	ISSUE FOR LETTERS	2010-01-15
3	ISSUE FOR CONFIDENTIALITY	2010-01-15
4	ISSUE FOR INTERPRETATION	2010-01-15
5	ISSUE FOR INTERPRETATION	2010-01-15
6	ISSUE FOR INTERPRETATION	2010-01-15
7	ISSUE FOR INTERPRETATION	2010-01-15
8	ISSUE FOR INTERPRETATION	2010-01-15