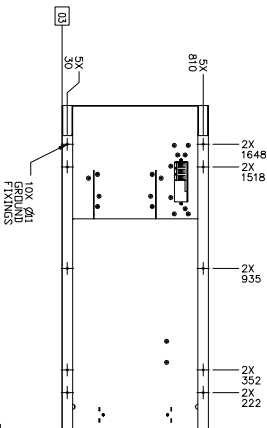
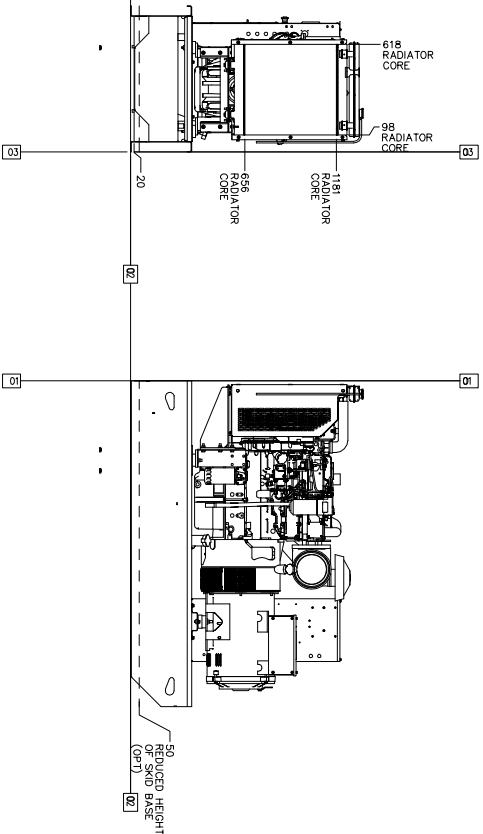
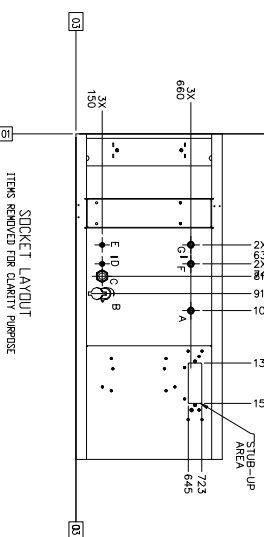
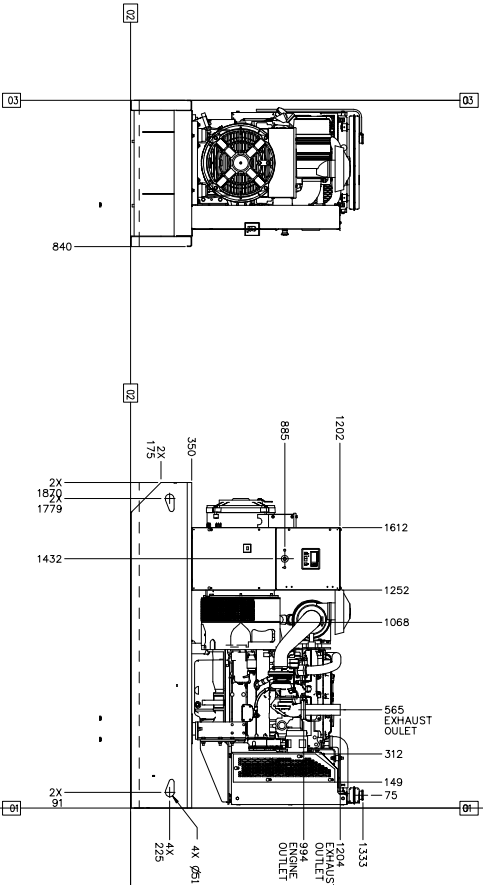
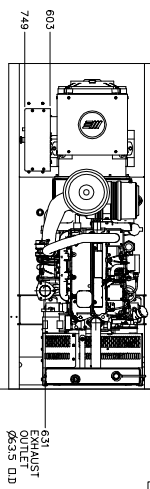
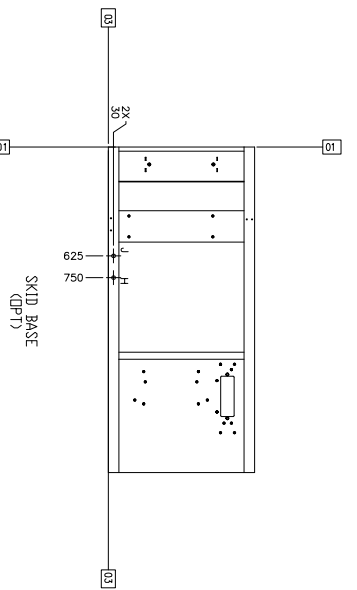


GENSET MODEL	ENGINE MODEL	ALTERNATOR MODEL	WEIGHT WITH OIL & WATER (kg)	SKID WEIGHT WITH OIL & WATER (kg)	TANK WEIGHT WITH OIL & WATER (kg)	SKID CENTER OF GRAVITY FROM O1	TANK CENTER OF GRAVITY FROM O1
MARVELL ALTERNATOR							
P55-4	1104G-102/3	MWS 200 394	851	864	1016	802	815
P55-6	1104G-102/3	MWS 200 394	893	906	1098	844	857
P55-3	1104A-102/3	MWS 200 14A	989	1002	1154	940	953
LENOX ALTERNATOR							
P55-4	1104G-102/3	LL1514N	809	822	974	780	773
P55-6	1104G-102/3	LL1514P	833	846	985	771	784
P55-3	1104A-102/3	LL1514D	964	977	1129	915	928
P55-6S	1104G-102/3	LLB3114D	928	941	1093	879	892

SOCKET DESCRIPTION	SIZE
A FUEL FILL	1" BSPP
B FUEL RETURN	1/2" BSPP
C FUEL GAUGE	1.1/2" BSPP
D FUEL SUPPLY	1/2" BSPP
E FUEL RETURN	1/2" BSPP
F REMOTE SUPPLY	1" BSPP
G REMOTE RETURN	1" BSPP
H SKID FUEL SUPPLY	1/4" BSPP
J SKID FUEL RETURN	1/4" BSPP

TANK CAPACITY (LITRES)
 180
 189

NOTE: DESIGN PRESSURE HEAD
 1400 mm



ALL DIMENSIONS ARE REFERENCIVE

REV	DESCRIPTION
1	1E722B DRAWING
2	1E0198W LETTERS
3	1E003Y CONFIDENTIALITY
4	1E002A INTERPRETATION
5	1E001C INTERPRETATION
6	1E001B INTERPRETATION
7	1E001A INTERPRETATION
8	1E001Z INTERPRETATION
9	1E001Y INTERPRETATION
10	1E001X INTERPRETATION

MADE TO SPECIFICATION
 DRAWING NO. 449-5882-02
 ISSUE NO. 1

449-5882-02 LE