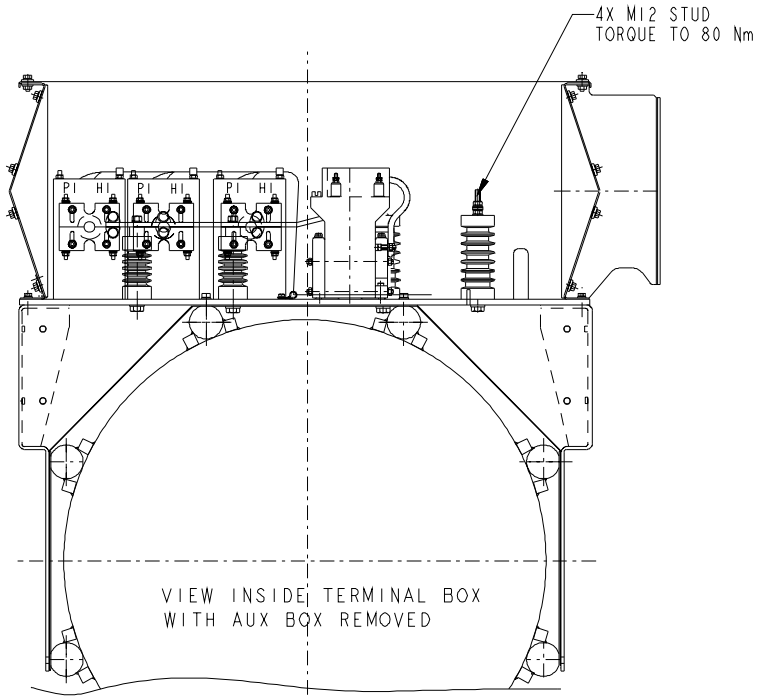
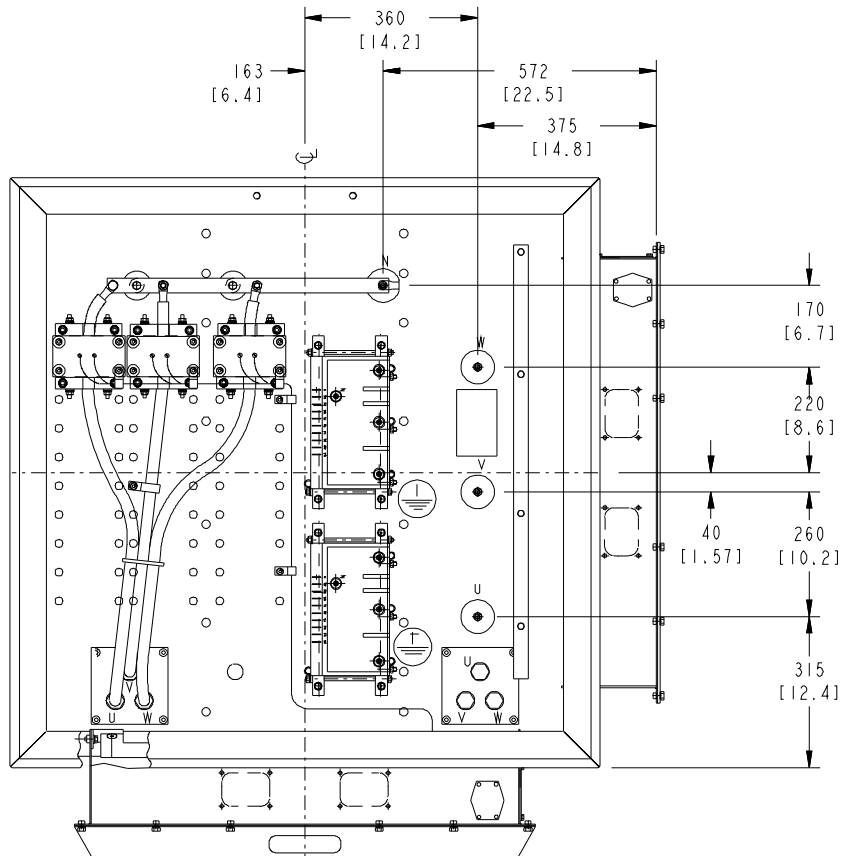


REL NO	LTR	NO	REVISION	ZONE	DR	CHKR	APPROVED	DATE
FRD17478	A	1	PRODUCTION RELEASE	-	MTA	BH	HENNING	08-01-03
FRD19449	B	5	ADDED DIMENSIONS	-	MTA	BH	HENNING	02-10-04
FRD20897	C	2	ADD DIMS 572 [22.5] & 375 [14.8]	5D	GWH	BH	HENNING	07-19-04
FRD20842	D	--	-----	--	---	---	---	-----
FRD21946	E	--	-----	--	---	---	---	-----



MV/HVSI 804 ALTERNATOR

TOLERANCE UNLESS OTHERWISE SPECIFIED		DIM TO		ITEM	PART NO	DR	DESCRIPTION OR MATERIAL	REF
mm		inch		NAME		DATE		REF DIS
.0125		.0005		DR M.T.ABEL		08-01-03		<p>CUMMINS POWER GENERATION 4000 75th AVE NE MINNEAPOLIS, MINNESOTA 55432</p>
.025		.001		CHDR B HENNING		08-01-03		
.050		.002		APPROVED B HENNING		08-01-03		
.100		.004		FOR INTERPRETATION AND TOLERANCING, SEE ANSIST Y14.3M-1982		MODEL FIRST USED ON		SHEET
.150		.006		DRAWN TO 1/1		DQKH		7 of 7
.300		.012		SCALE OF		PGA		DWG NO
.600		.025		TITLE		GENSET_OUTLINE (E043)		DWG NO
1.200		.050		SITE CODE		PGA		0500_3878