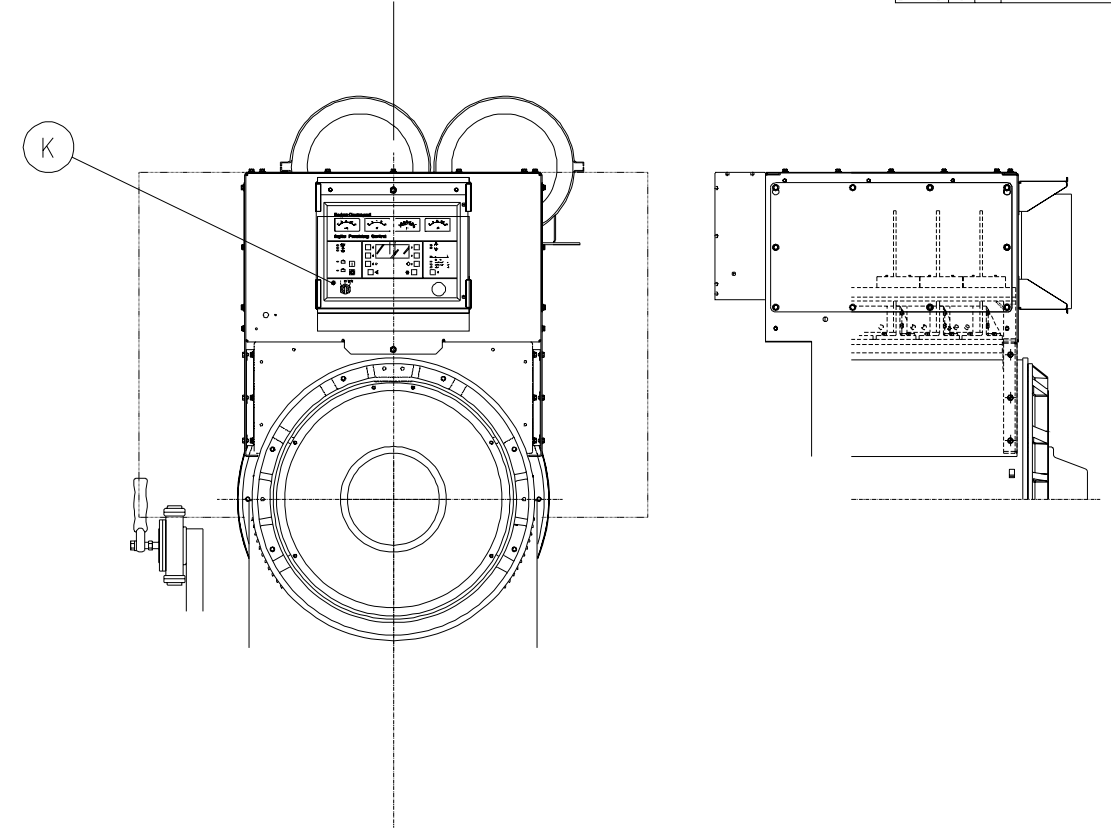
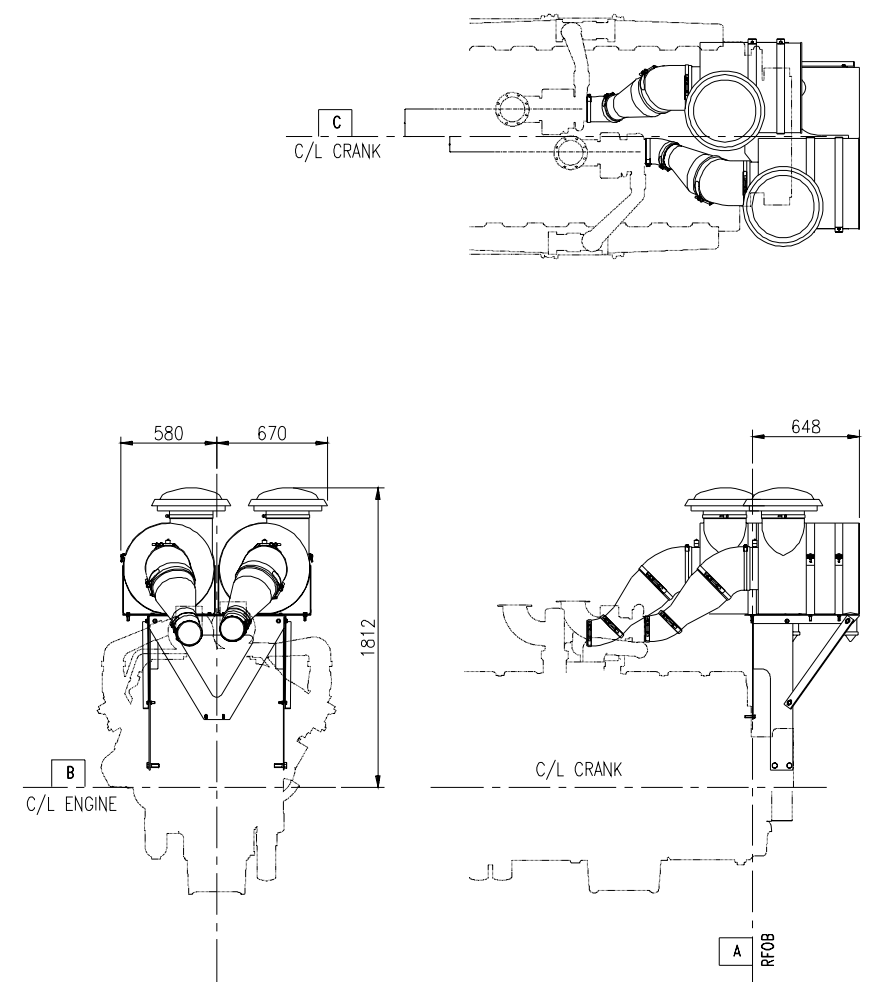


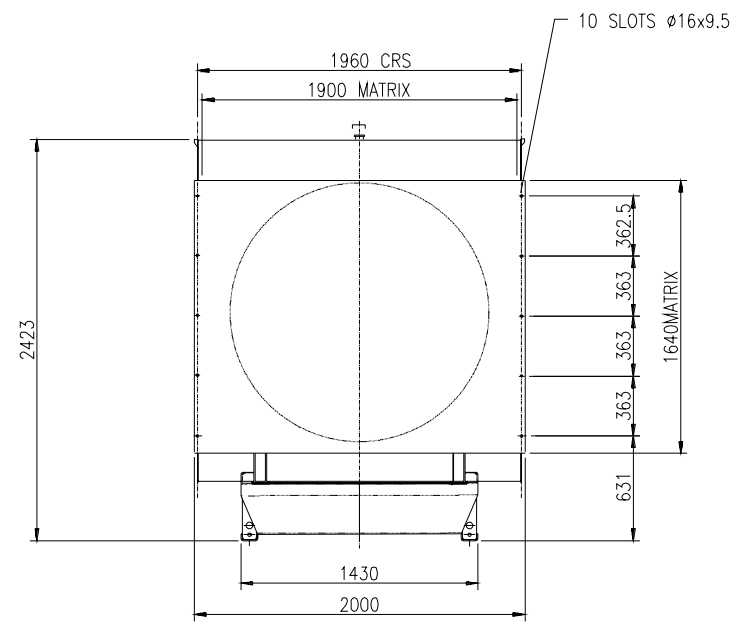
REV. No.	LTR No.	REVISION	ZONE	DRN	CHKD	APPROVED	DATE
ERK10135	A	1					11/05/04
ERK12813	B				HL CK	CONNOLLY	10/04/06
ERK14151	C				RM CK	CONNOLLY	22/02/07



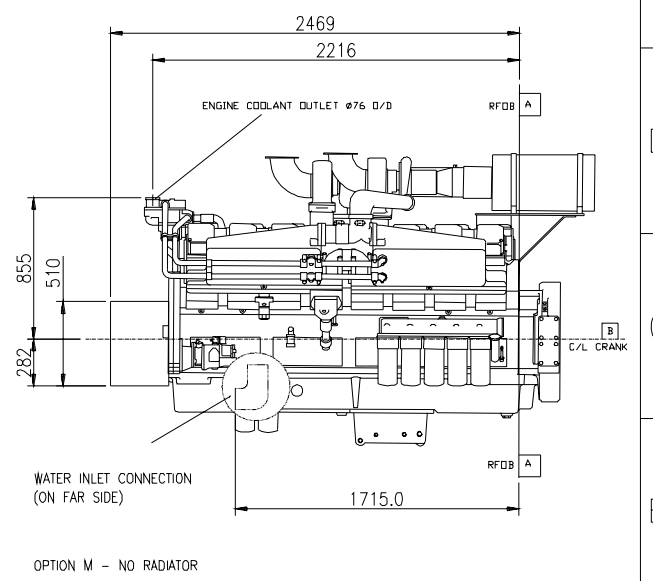
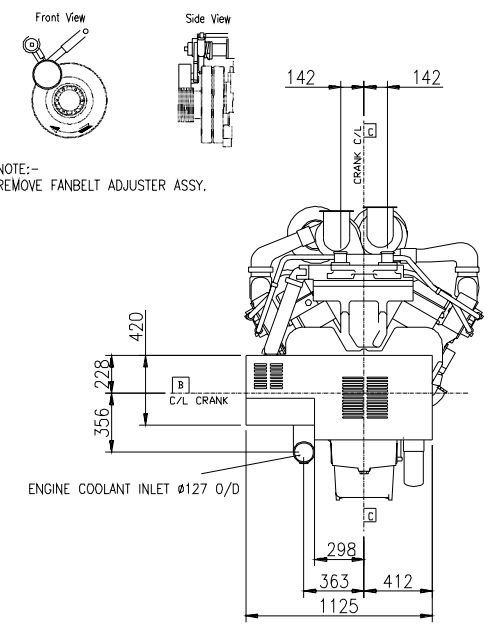
PCCP3100 CONTROLLER FOR PARALLELING OPERATIONS ONLY.

HEAVY DUTY - A MINIMUM DIRT HOLDING CAPACITY OF 25g/cfm OF INTAKE AIR FLOW FOR USE ON KTA50G3.

OPTION - HEAVY DUTY AIR CLEANERS



50 DEG RAD OPTION



TOLERANCE UNLESS OTHERWISE SPECIFIED	SIMILAR TO	NAME	DATE
XXX = $\pm 0.13$	---	DRAWN	11/05/04
XXX = $\pm 0.5$	---	CHECKED	A ANDREWS
---	---	APPROVED	M BARCENT

AutoCAD	DO NOT SCALE PRINT	ANGLE TOL. SCALE: NTS	±1.0°
C1500D5		PKG	2 of 3
SITE CODE: C1500D5		SHEET: 2 of 3	
CUMMINS POWER GENERATION		GENSET OUTLINE	
Columbus Avenue, Manston, Ramsgate Kent, CT12 5BF, England, UK		SHEET: 2 of 3	
SING NO: 0500-4104		DATE: 11/05/04	