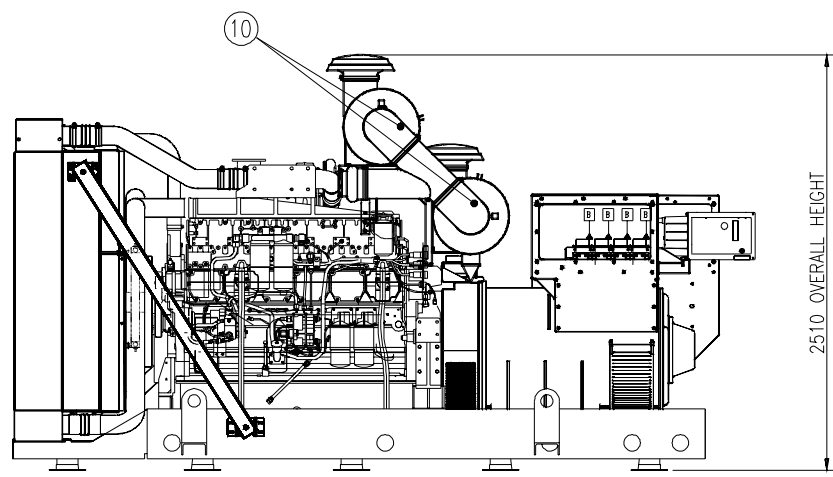


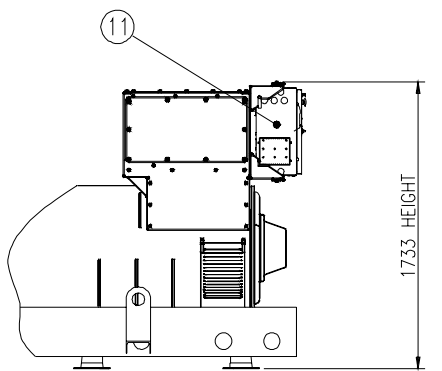
16 15 14 13 12 11 10 9 8 7 6 5 4 3 2 1

0500-4356 A1

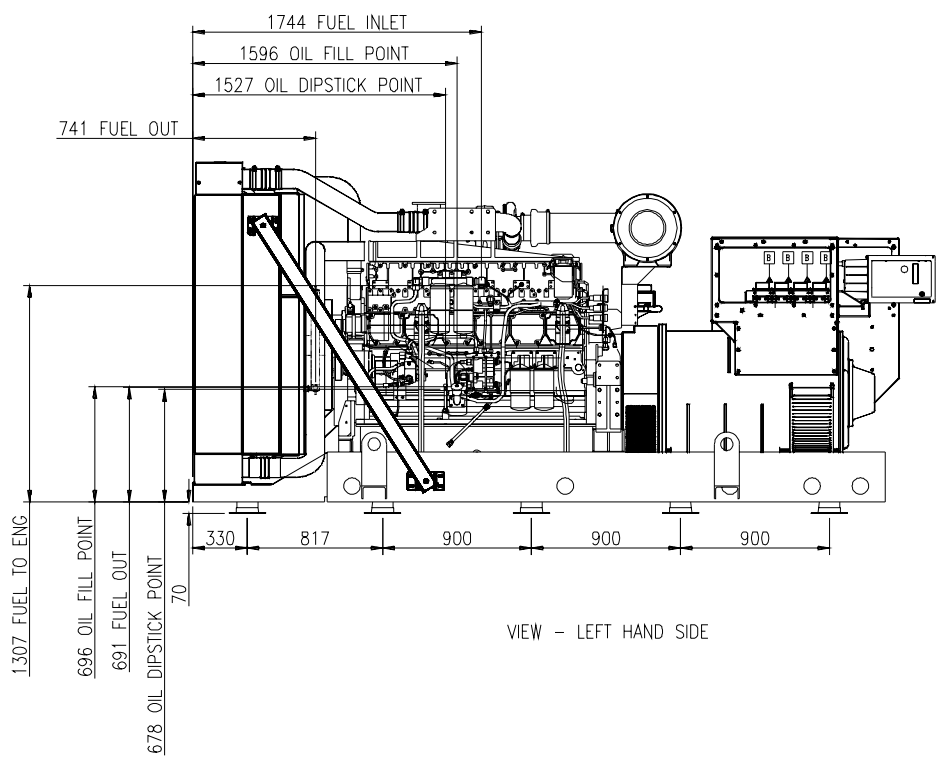
REV. No.	LTR No.	REVISION	ZONE	DRN	CHKD	APPROVED	DATE
ERK11616	A	1		JM	CK	BARCENT	04/08/05
ERK11904	B	1		JM	CK	MATHEWS	10/10/05



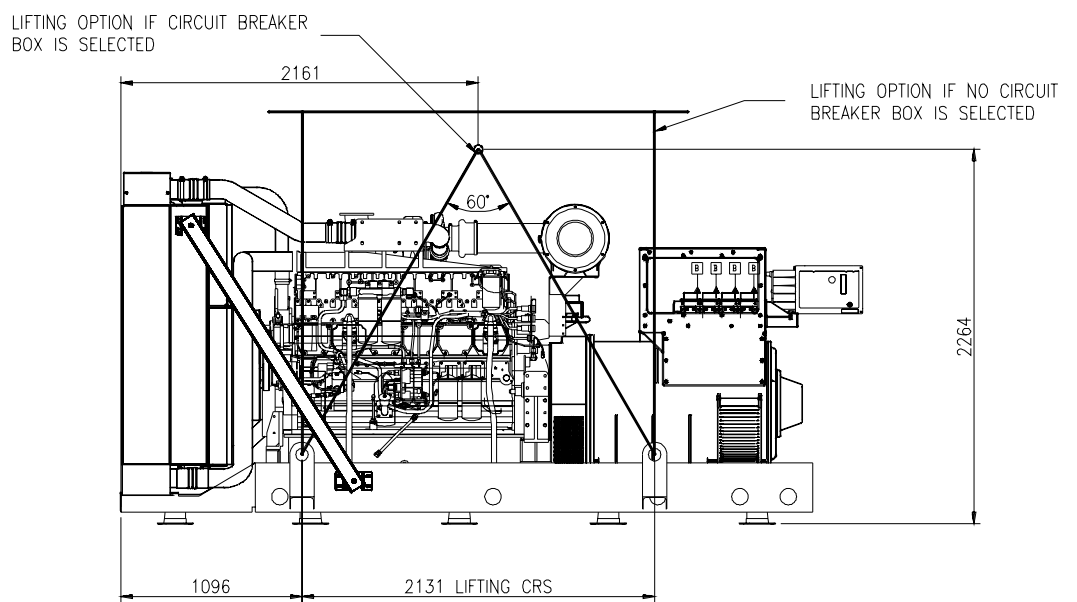
OPTION:- HEAVY DUTY AIR CLEANER



VIEW - PCC3201 CONTROLLER



VIEW - LEFT HAND SIDE



VIEW - LIFTING OPTIONS

16 15 14 13 12 11 10 9 8 7 6 5 4 3 2 1

AutoCAD	DO NOT SCALE PRINT	ANGLE TOL. ±1.0°	SCALE: 1:12	C900D5	PKG	0500-4356	SHEET 2 of 2	DATE 04/08/05	DATE 10/08/05	DATE 10/08/05	DATE
---------	--------------------	------------------	-------------	--------	-----	-----------	--------------	---------------	---------------	---------------	------

TOLERANCE UNLESS OTHERWISE SPECIFIED	SCALE TO COPY FROM	NAME	DATE
X = ±3 XX = ±1 XXX = ±0.5	THIRD ANGLE PROJECTION	J. MATHEWS	04/08/05
0.00-4.99 = +0.15/-0.08 5.00-9.99 = +0.20/-0.10 10.00-17.99 = +0.25/-0.13 18.00-24.99 = +0.30/-0.15	FOR INTERPRETATION OF DIMENSIONS AND TOLERANCES, SEE 3008 Part 2	C. KNIGHT	10/08/05
APPROVED	FIRST USED ON	M. BARCENT	10/08/05
CUMMINS POWER GENERATION Columbus Avenue, Manston, Ramsgate Kent, CT12 5BF, England, UK		SITE CODE	
GENSET OUTLINE		C900D5	
0500-4356		PKG	