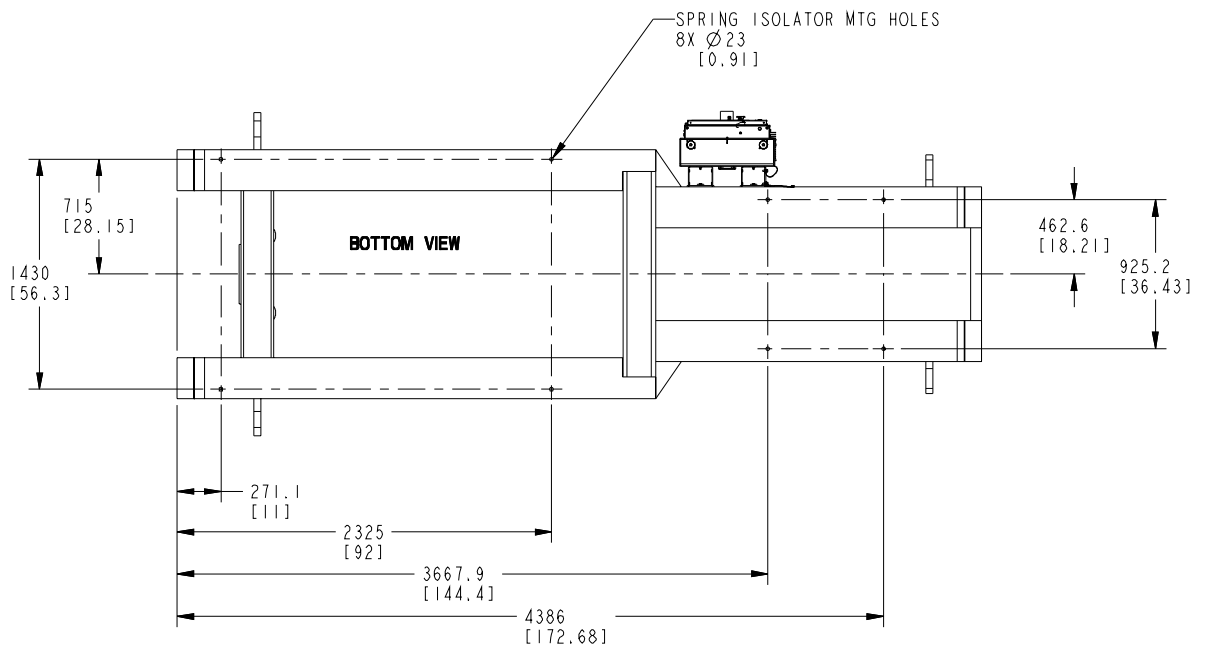
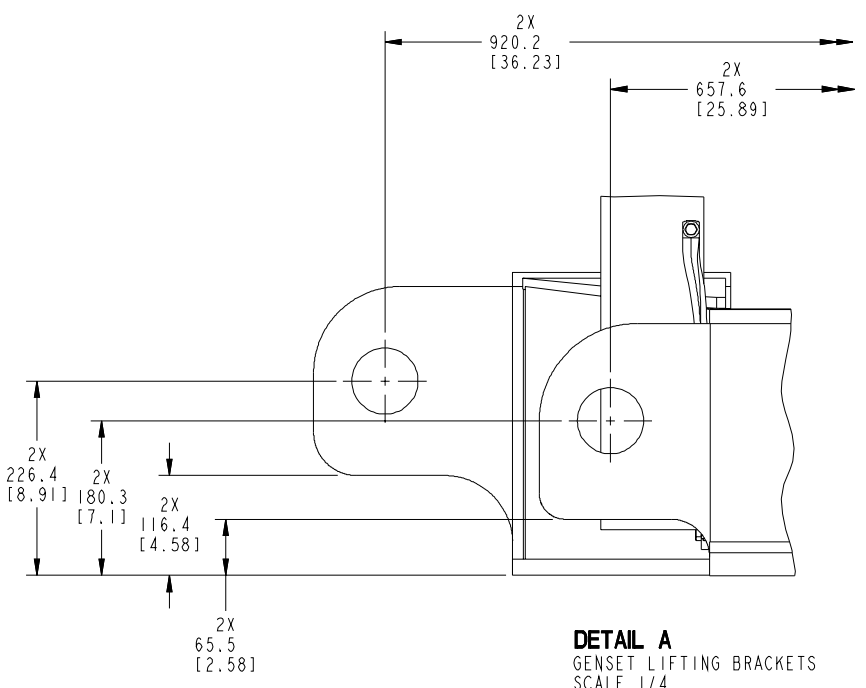
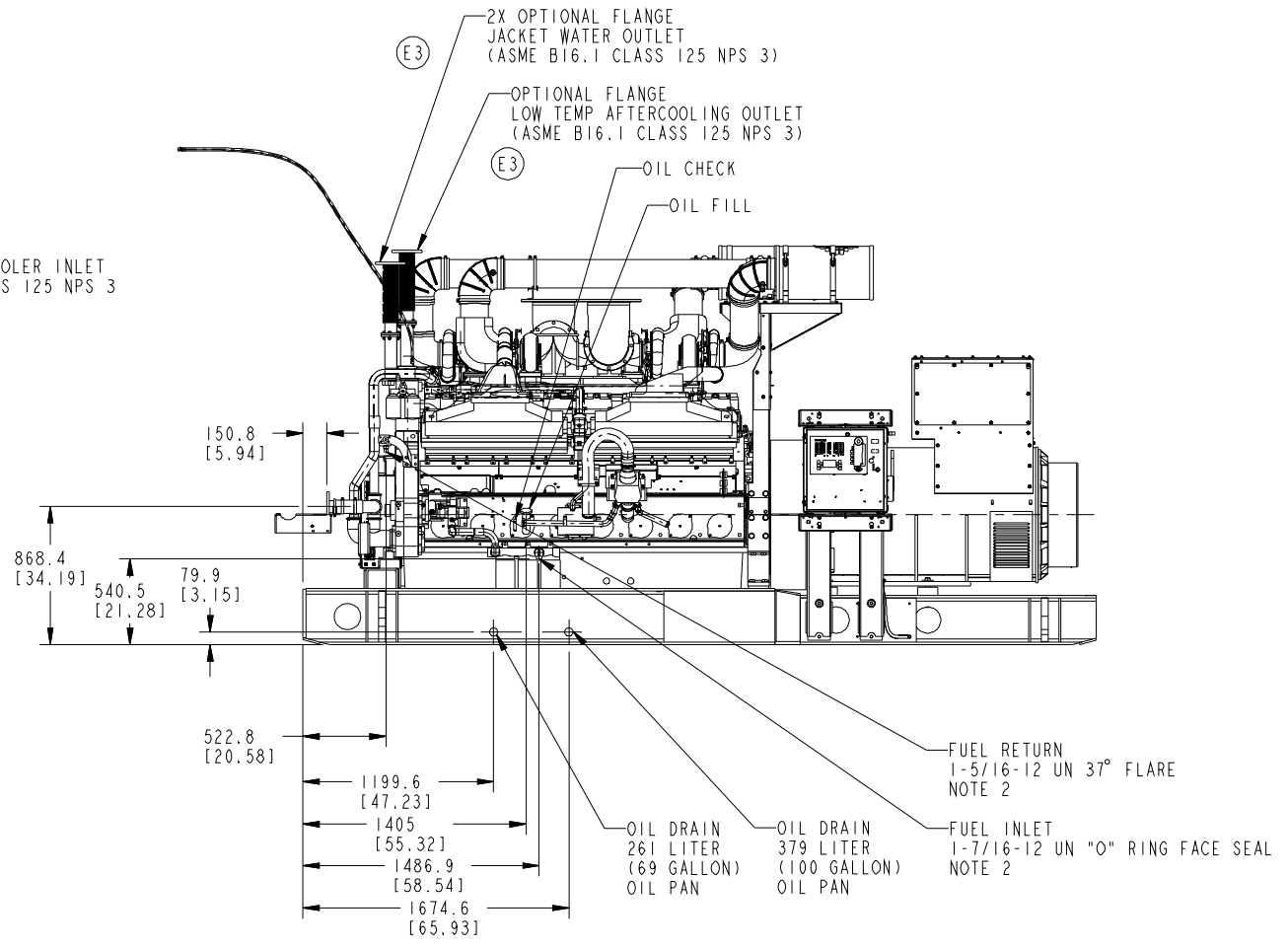
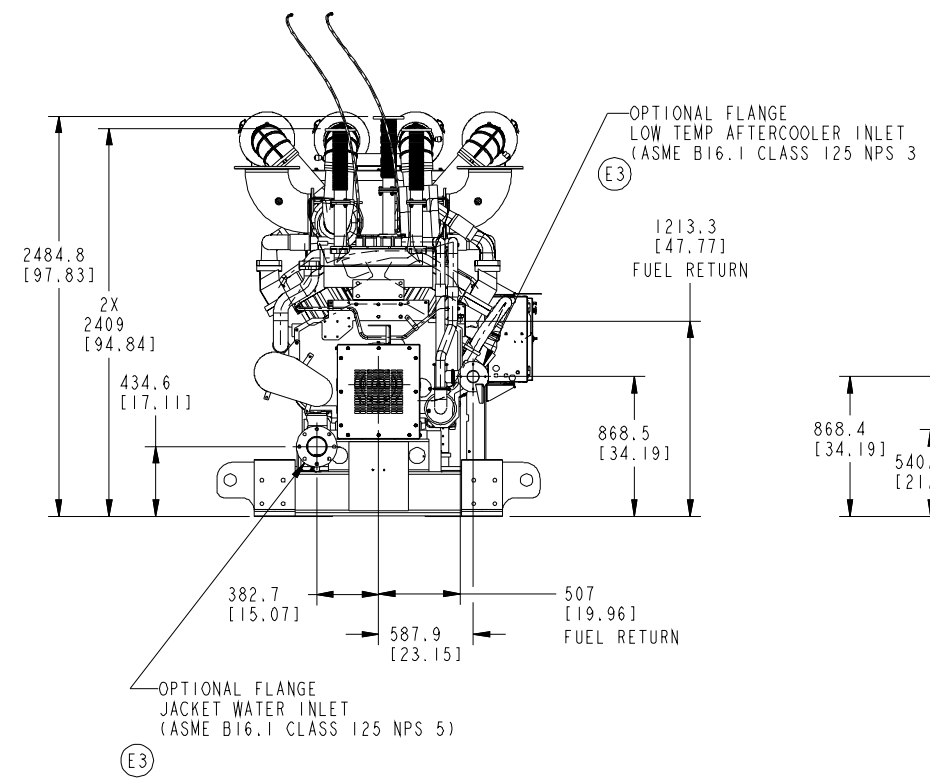


REL NO	LTR	NO	REVISION	ZONE	DR	CHKR	APPROVED	DATE
FRD17478	A	1	PRODUCTION RELEASE	-	MTA	BH	HENNING	08-01-03
FRD19449	B	-	-	-	-	-	-	-
FRD20897	C	-	-	-	-	-	-	-
FRD20842	D	-	-	-	-	-	-	-
FRD21945	E	3	ASME WAS ANSI	-	MTA	BH	HENNING	10-28-04

- NOTE:
- DIMENSIONS SHOWN IN [] BRACKETS ARE INCHES.
 - FUEL INLET HOSE $\varnothing 22.2$ [$\varnothing .88$] X 1300 [51.2] LONG WITH 1-11-1/2 NPTF EXTERNAL FITTING.
FUEL OUTLET HOSE $\varnothing 22.2$ [$\varnothing .88$] X 1625 [64] LONG WITH 1-11-1/2 NPTF EXTERNAL FITTING.



REMOTE COOLED

TOLERANCE UNLESS OTHERWISE SPECIFIED		DIM TO		ITEM	PART NO	QTY	DESCRIPTION OR MATERIAL	REF DIS
mm		inch		NAME				
.XX ±		.XX ±		DATE				
.XX ±		.XX ±		DR M.T.ABEL				
.XX ±		.XX ±		CHDR B HENNING				
.XX ±		.XX ±		DATE 08-01-03				
.XX ±		.XX ±		APPROVED B HENNING				
.XX ±		.XX ±		DATE 08-01-03				
.XX ±		.XX ±		SITE CODE				
.XX ±		.XX ±		TITLE GENSET_OUTLINE (E043)				
.XX ±		.XX ±		DRAWN TO 1/1				
.XX ±		.XX ±		SCALE OF				
.XX ±		.XX ±		FOR INTERPRETATION AND TOLERANCING, SEE ANSIST 7.2, 5M-1982				
.XX ±		.XX ±		MODEL FIRST USED ON				
.XX ±		.XX ±		DQKH				
.XX ±		.XX ±		PGA				
.XX ±		.XX ±		0500_3878				
.XX ±		.XX ±		3 of 7				
.XX ±		.XX ±		D				