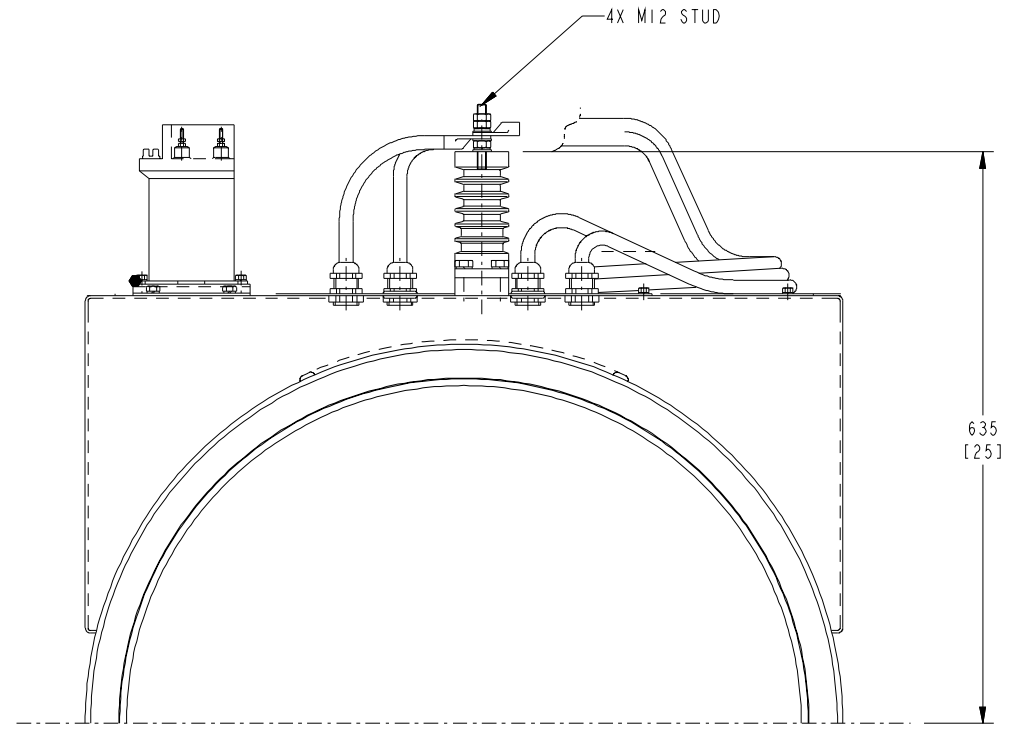
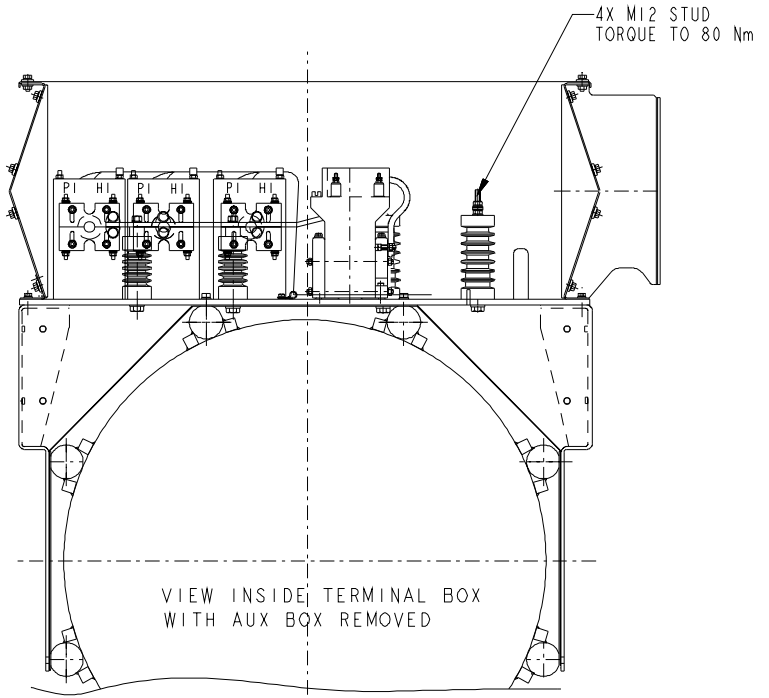
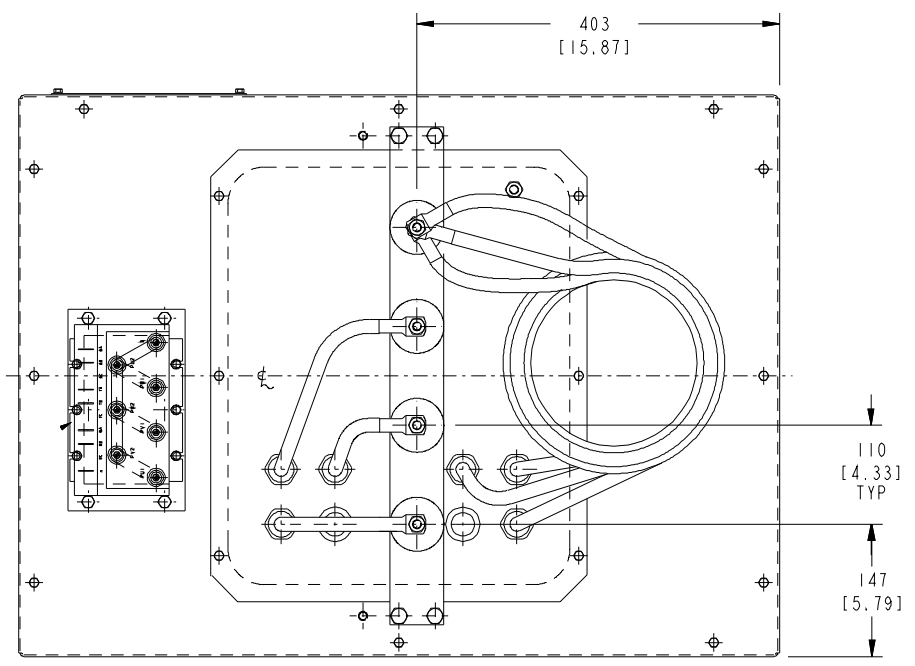
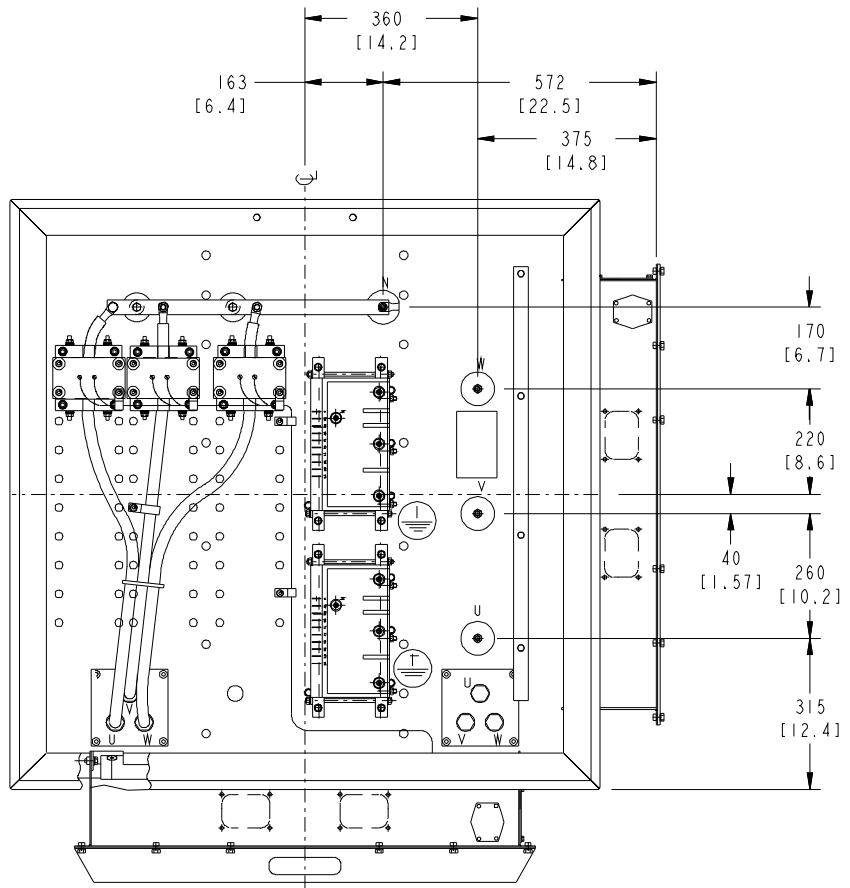


REL NO	LTR	NO	REVISION	ZONE	DR	CHKR	APPROVED	DATE
FRD19167	A	1	PRODUCTION RELEASE	-	MTA	BH	HENNING	01-15-04
FRD20897	B	2	ADD DIM 572 [22.5] & 375 [14.8]	5D	GWH	BH	HENNING	07-21-04
FRD20842	C	--	-----	--	---	---	---	---



MV7 ALTERNATOR

MV/HVSI 804 ALTERNATOR

TOLERANCE UNLESS OTHERWISE SPECIFIED		DIM		ITEM		PART NO		DESCRIPTION OR MATERIAL		REF DIS	
mm		inch		NAME		DATE		DATE		DATE	
X ± 0.3		.X ±		DR M.T.ABEL		01-15-04		01-15-04		01-15-04	
.X ± 0.8		.XX ±		CHGR B.HENNING		01-15-04		01-15-04		01-15-04	
.XX ± 0.38		.XXX ±		APPROVED B.HENNING		01-15-04		01-15-04		01-15-04	
0.00-4.99		+0.15/-0.00		FOR INTERPRETATION AND DIMENSIONING AND TOLERANCING, SEE ANSIST Y14.2M-1982		MODEL FIRST USED ON		DQKB, KC, KD		PGA	
5.00-9.99		+0.20/-0.10		CUMMINS POWER GENERATION IS THE PROPERTY OF CUMMINS POWER GENERATION. IT CONTAINS PROPRIETARY AND CONFIDENTIAL INFORMATION WHICH MUST NOT BE REPRODUCED, COPIED, OR TRANSMITTED IN ANY FORM OR BY ANY MEANS, ELECTRONIC OR MECHANICAL, INCLUDING PHOTOCOPYING, RECORDING, OR BY ANY INFORMATION STORAGE AND RETRIEVAL SYSTEM, WITHOUT THE WRITTEN PERMISSION OF CUMMINS POWER GENERATION OR ITS REPRESENTATIVE.		FOR INTERPRETATION AND DIMENSIONING AND TOLERANCING, SEE ANSIST Y14.2M-1982		DQKB, KC, KD		PGA	
10.00-17.99		+0.25/-0.13		CUMMINS POWER GENERATION IS THE PROPERTY OF CUMMINS POWER GENERATION. IT CONTAINS PROPRIETARY AND CONFIDENTIAL INFORMATION WHICH MUST NOT BE REPRODUCED, COPIED, OR TRANSMITTED IN ANY FORM OR BY ANY MEANS, ELECTRONIC OR MECHANICAL, INCLUDING PHOTOCOPYING, RECORDING, OR BY ANY INFORMATION STORAGE AND RETRIEVAL SYSTEM, WITHOUT THE WRITTEN PERMISSION OF CUMMINS POWER GENERATION OR ITS REPRESENTATIVE.		FOR INTERPRETATION AND DIMENSIONING AND TOLERANCING, SEE ANSIST Y14.2M-1982		DQKB, KC, KD		PGA	
17.50-24.99		+0.30/-0.13		CUMMINS POWER GENERATION IS THE PROPERTY OF CUMMINS POWER GENERATION. IT CONTAINS PROPRIETARY AND CONFIDENTIAL INFORMATION WHICH MUST NOT BE REPRODUCED, COPIED, OR TRANSMITTED IN ANY FORM OR BY ANY MEANS, ELECTRONIC OR MECHANICAL, INCLUDING PHOTOCOPYING, RECORDING, OR BY ANY INFORMATION STORAGE AND RETRIEVAL SYSTEM, WITHOUT THE WRITTEN PERMISSION OF CUMMINS POWER GENERATION OR ITS REPRESENTATIVE.		FOR INTERPRETATION AND DIMENSIONING AND TOLERANCING, SEE ANSIST Y14.2M-1982		DQKB, KC, KD		PGA	

**CUMMINS POWER GENERATION**  
 4000 75RD AVE NE  
 MINNEAPOLIS, MINNESOTA 55432

TITLE: GENSET\_OUTLINE  
 SHEET: 7 of 7  
 Dwg No: 0500\_3947