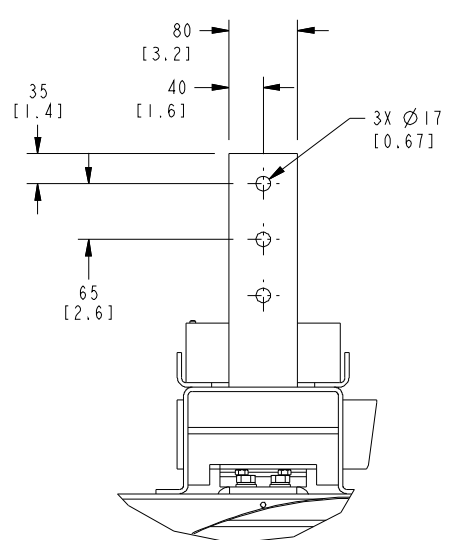
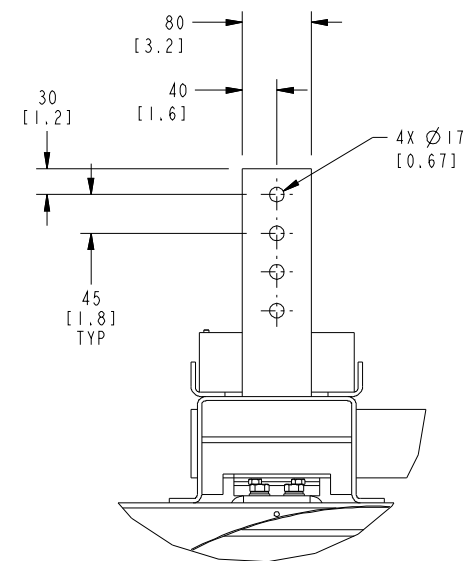


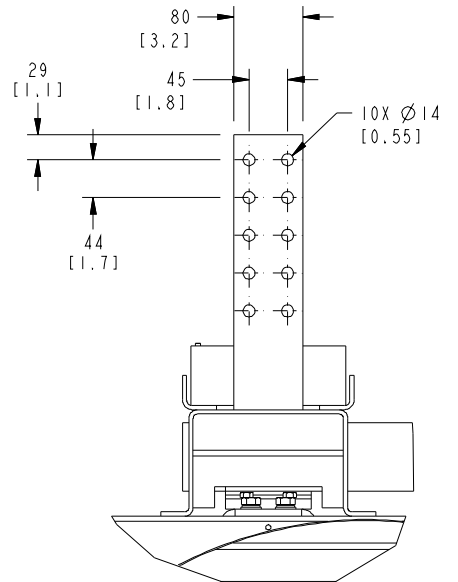
REL NO	LTR	NO	REVISION	ZONE	DR	CHKR	APPROVED	DATE
FRD19167	A	1	PRODUCTION_RELEASE	-	MTA	BH	HENNING	01-15-04
FRD20897	B	-	-	-	-	-	-	-
FRD20842	C	-	-	-	-	-	-	-



DETAIL A
SCALE 1/4

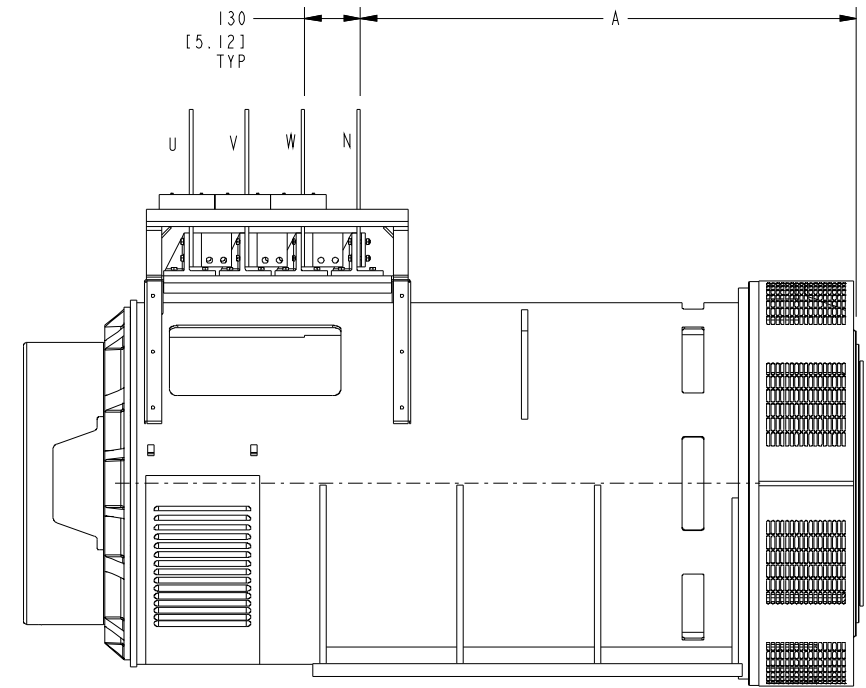


DETAIL B
SCALE 1/4



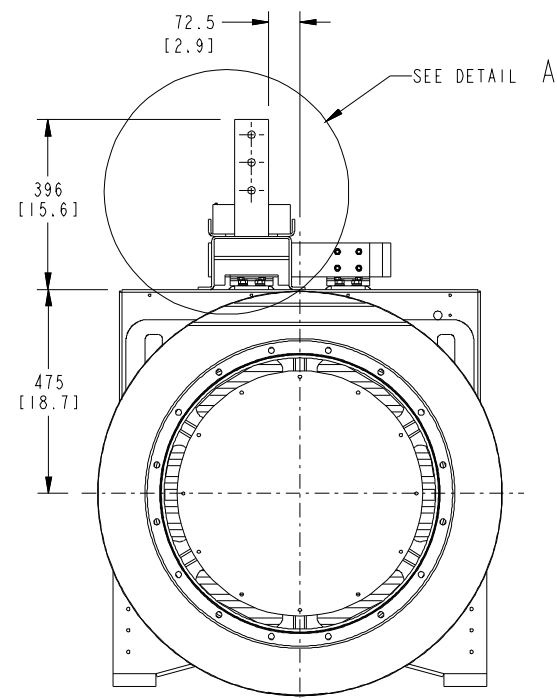
DETAIL C
SCALE 1/4

NOTE:
1. EACH 2 HOLE, NEMA TERMINAL WILL ACCOMMODATE UP TO 10 750 MCM LUGS.
2. DIMENSIONS SHOWN IN [] ARE INCHES.

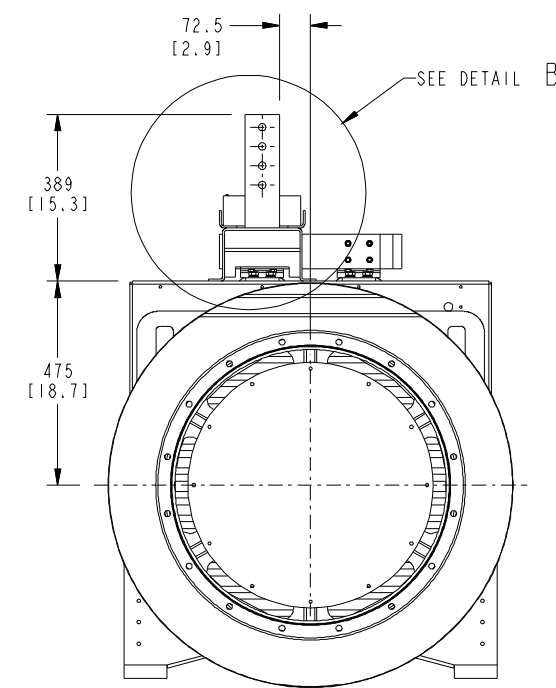


TABULATION	
CORE	DIM A
B	919
C	919
D	1069
E	1069
F	1154
G	1154

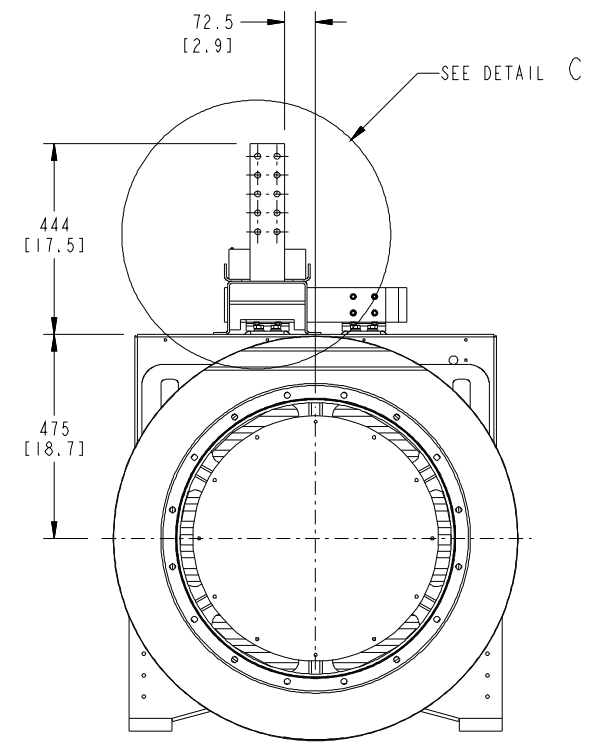
P7 ALTERNATOR
ELECTRICAL CONNECTION DETAIL
(OUTPUT BOX NOT SHOWN)



1 HOLE LUG
NEWAGE
CORES B THRU F
(KR79)



1 HOLE LUG
NEWAGE
CORE G
(KR79)



2 HOLE LUG, NEMA
CORES B THRU G
(KR78)

TOLERANCE UNLESS OTHERWISE SPECIFIED		DIM		ITEM		DESCRIPTION OR MATERIAL		REF	
mm		INCH		PART NO		DATE		DIS	
0.00	0.00	0.00	0.00	DR	M.T.ABEL	01-15-04	CUMMINS POWER GENERATION 4000 75RD AVE NE MINNEAPOLIS, MINNESOTA 55432 TITLE: GENSET_OUTLINE SITE CODE: PGA DWG NO: 0500_3947 SHEET: 5 of 7 D		
.XX	± 0.08	.XX	±	CHKR	B.HENNING	01-15-04			
.XX	± 0.38	.XX	±	APPROVED	B.HENNING	01-15-04			
ANG TOL ± 1.0	0.00-4.99	± 0.00	0.00-200	MODEL FIRST USED ON		DQKB, KC, KD			
SCALE OF	3/4	0.00-9.99	± 0.10	FOR INTERPRETATION OF DIMENSIONS AND TOLERANCES, SEE		ANGS 17.2, SM-1982			
		10.00-17.99	± 0.13	THIS DOCUMENT IS THE PROPERTY OF CUMMINS POWER GENERATION. IT CONTAINS PROPRIETARY AND CONFIDENTIAL INFORMATION WHICH MUST NOT BE DISCLOSED, REPRODUCED, COPIED, OR TRANSMITTED IN ANY FORM OR BY ANY MEANS, WITHOUT THE WRITTEN PERMISSION OF CUMMINS POWER GENERATION OR ITS REPRESENTATIVE.					