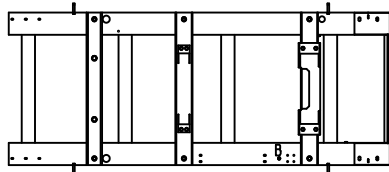
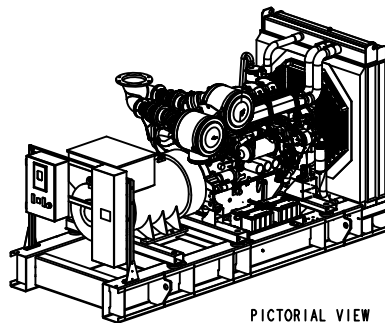


| DESCRIPTION | SOCKET | DIM X | DIM Y | DIM Z | FITTING |
|----------------|--------|-------|-------|-------|----------|
| COOLANT_DRAIN | A | 500 | 168 | 1485 | 3/4" BSP |
| LUBE_OIL_DRAIN | B | 1251 | 414 | 1644 | 3/4" BSP |

| GENSET | WEIGHT (Kg) | |
|-----------------|-------------|--------------------|
| | WITH OIL | WITH OIL & COOLANT |
| P650P1 / P725E1 | 5537 | 5648 |
| P730P1 / P800E1 | 5757 | 5868 |
| P800P1 / P900E1 | 5957 | 6068 |



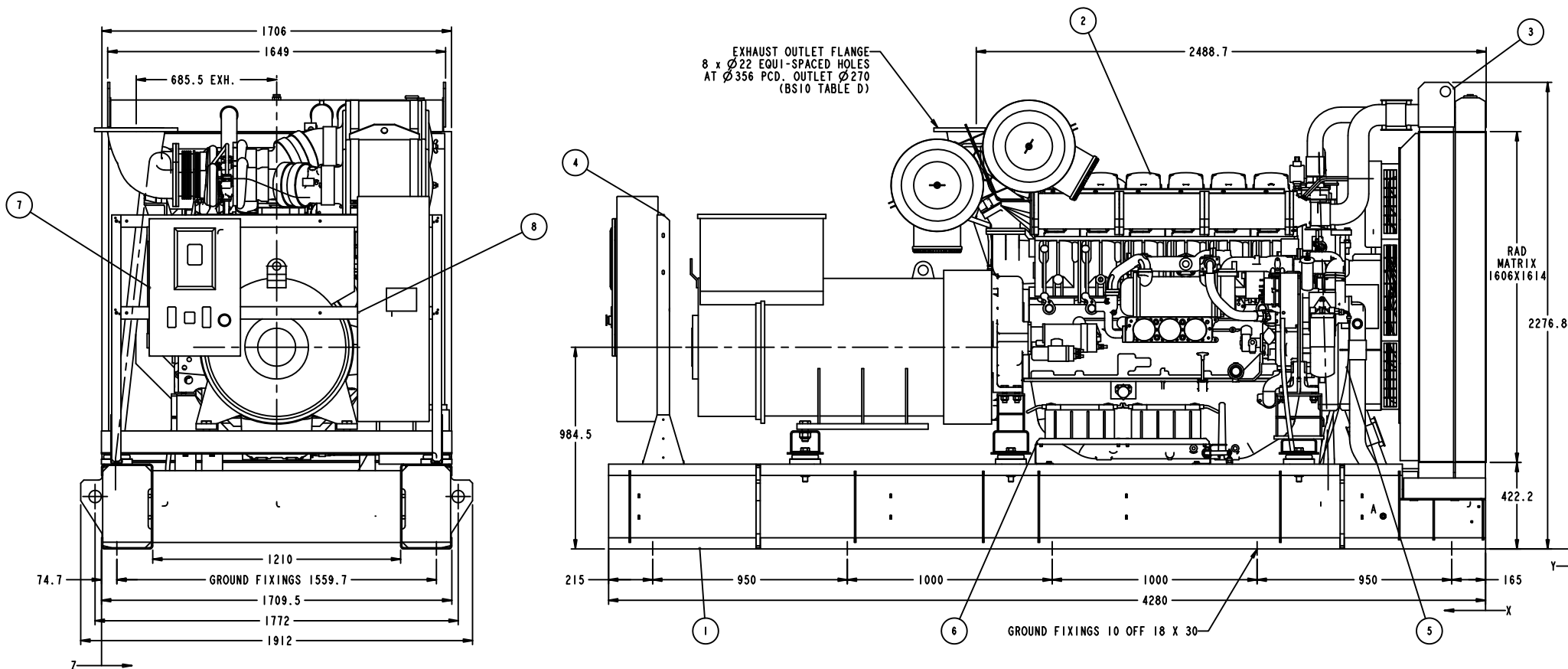
SCALE 1:30



PICTORIAL VIEW
SCALE 1:30

| ITEM | QTY | DESCRIPTION | DWG / PART NO. |
|------|-----|--------------------------------------|----------------|
| 1 | 1 | BASE GP | 272-0500 |
| 2 | 1 | ENGINE/ALTERNATOR COMBINATIONS | MGS3864 |
| 3 | 1 | RADIATOR GROUP | MGS5746 |
| 4 | 1 | PANEL STAND GROUP | MGS5748 |
| 5 | 1 | FUEL LINES - GP | 274-5980 |
| 6 | 1 | BATTERY TRAY GROUP | MGS5791 |
| 7 | 1 | CONTROL PANEL | - |
| 8 | 1 | CIRCUIT BREAKER | - |
| * 9 | 1 | LUBE OIL DRAIN ARRANGEMENT | MGS5789 |
| * 10 | 1 | COOLANT DRAIN ARRANGEMENT | MGS5790 |
| * 11 | 1 | COUPLING ARRANGEMENT | MGS3395 |
| * 12 | 1 | EXHAUST SILENCERS GROUP | MGS5838 |
| * 13 | 1 | EC HEAT GUARDS | MGS5829 |
| * 14 | 1 | CHARGE AIR PIPEWORK GUARDS | MGS5824 |
| * 15 | 1 | ENGINE WIRING GROUP | MGS5793 |
| * 16 | 1 | ALTERNATOR WIRING GROUP | MGS4138 |
| * 17 | 1 | SENDERS AND SENSORS UPFIT | MGS4312 |
| * 18 | 1 | DECAL ARRANGEMENT - UNIVERSAL LABELS | MGS4211 |
| * 19 | 1 | DECAL ARRANGEMENT - BRAND LABELS | MGS3424 |

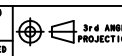
* ITEM NOT SHOWN



| | | | | |
|-------------------|-------------|-------|------|----------|
| A | FIRST ISSUE | 23924 | R.M. | 09/06/05 |
| ISSUE DESCRIPTION | ECR | BY | DATE | |

| |
|--|
| TOLERANCES EXCEPT WHERE OTHERWISE STATED |
| 0 - 500mm ± 1mm |
| 500 - 2000mm ± 2mm |
| OVER 2000mm ± 3mm |
| STRUCTURAL ± 3mm |
| ANGULAR ± 1° |
| DO NOT SCALE |

THIS DRAWING IS COPYRIGHTED AND MAY BE COPIED ONLY FOR THE PURPOSES OF MAINTAINING THE PURCHASED EQUIPMENT BY THE PURCHASER



| | |
|---------|-------------|
| DRN. BY | R. MONTEITH |
| DATE | 09/06/05 |

| | |
|-------|--|
| TITLE | 4006-23 SERIES COMPACT GENERAL ARRANGEMENT |
|-------|--|

| | | | | | | |
|------------|----|----------------|------|-------------------|---------|---|
| SHEET SIZE | A1 | ORIGINAL SCALE | 1:10 | DRAWING NO/ISSUE. | MGA6903 | A |
|------------|----|----------------|------|-------------------|---------|---|