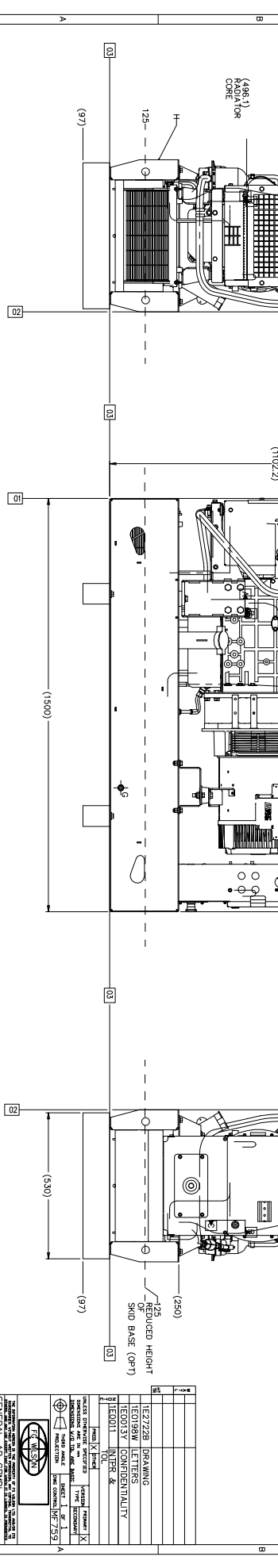
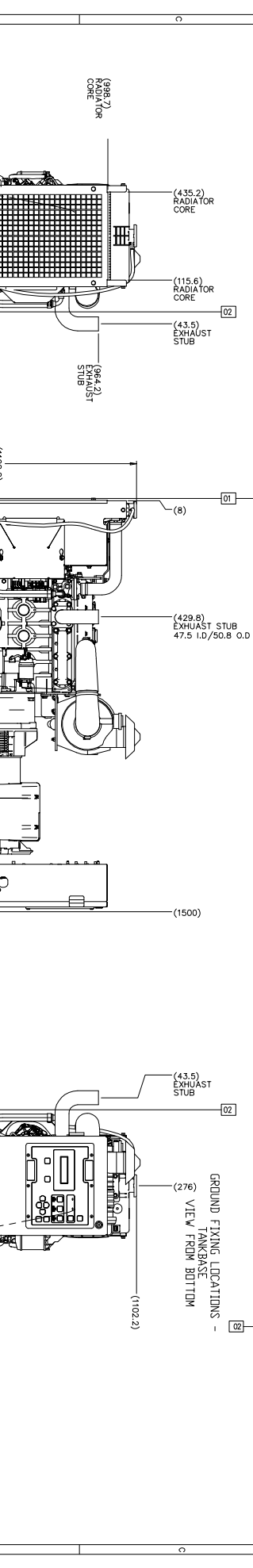
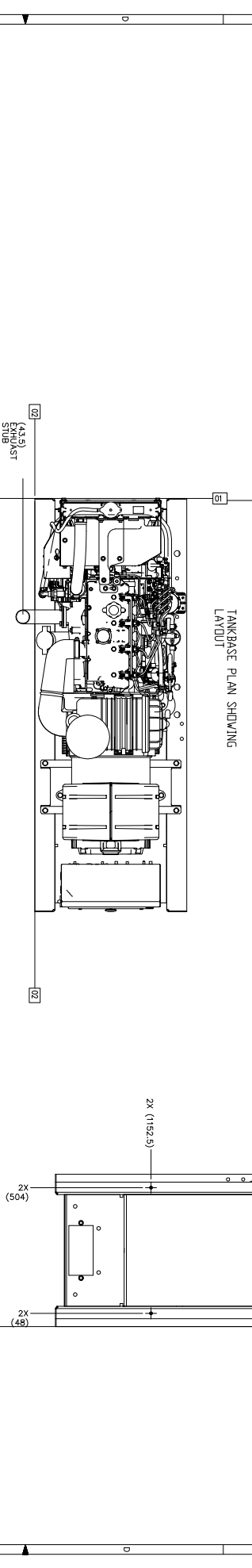
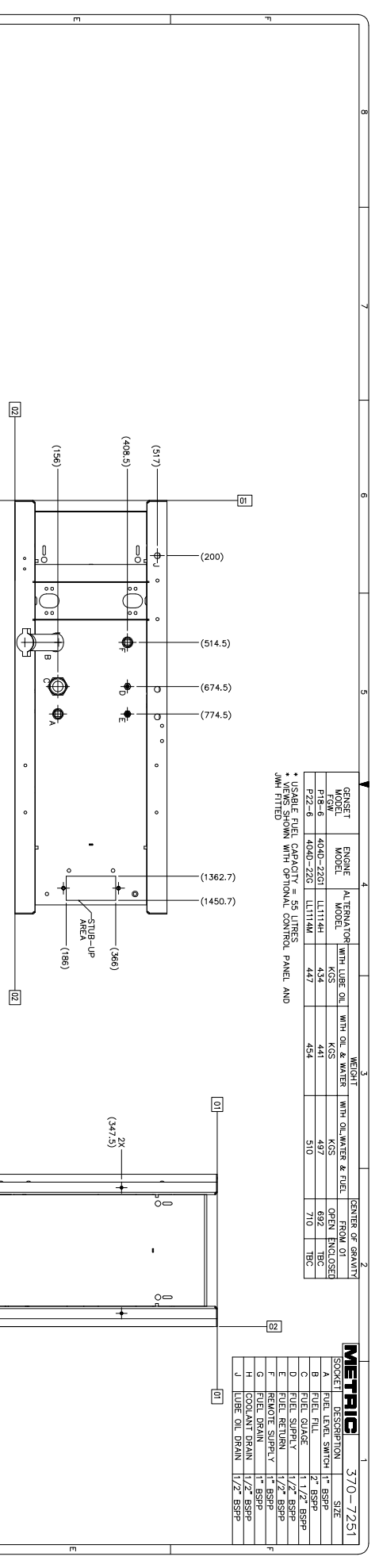


GENSET MODEL	ENGINE MODEL	ALTERNATOR MODEL	WITH LUBE OIL KGS	WITH OIL & WATER KGS	WITH OIL, WATER & FUEL KGS	SEATING OF GRANTY FROM OI OPEN ENCLOSED TBC
P18-6	404D-22G1	L11114H	434	441	497	TBC
P22-6	404D-22G2	L11114M	447	454	510	TBC

* USABLE FUEL CAPACITY = 55 LITRES
 ** WEIGHS SHOWN WITH OPTIONAL CONTROL PANEL AND SWM FITTED



SOCKET	DESCRIPTION	SIZE
A	FUEL LUBE SWITCH	1" BSPP
B	FUEL GUAGE	2" BSPP
D	FUEL SUPPLY	1/2" BSPP
E	FUEL RETURN	1/2" BSPP
F	REMOTE SUPPLY	1" BSPP
G	FUEL DRAIN	1/2" BSPP
H	COOLANT DRAIN	1/2" BSPP
J	LUBE OIL DRAIN	1/2" BSPP

TRISKEN

1E2722B DRAWING
 1E0398W LETTERS
 1E0033Y CONFIDENTIALITY

1E00111 DPK & 1E00112

DATE PREPARED BY: Yousaf Feroze
 DRAWING NO: 370-7251-01
 PROJECT NO: 370-7251-01
 REV: 1
 1/27/19

GENERAL AN-CIDPPL

370-7251 Rev. 02