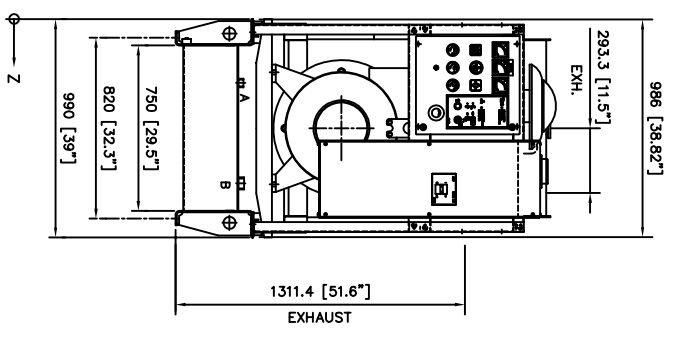
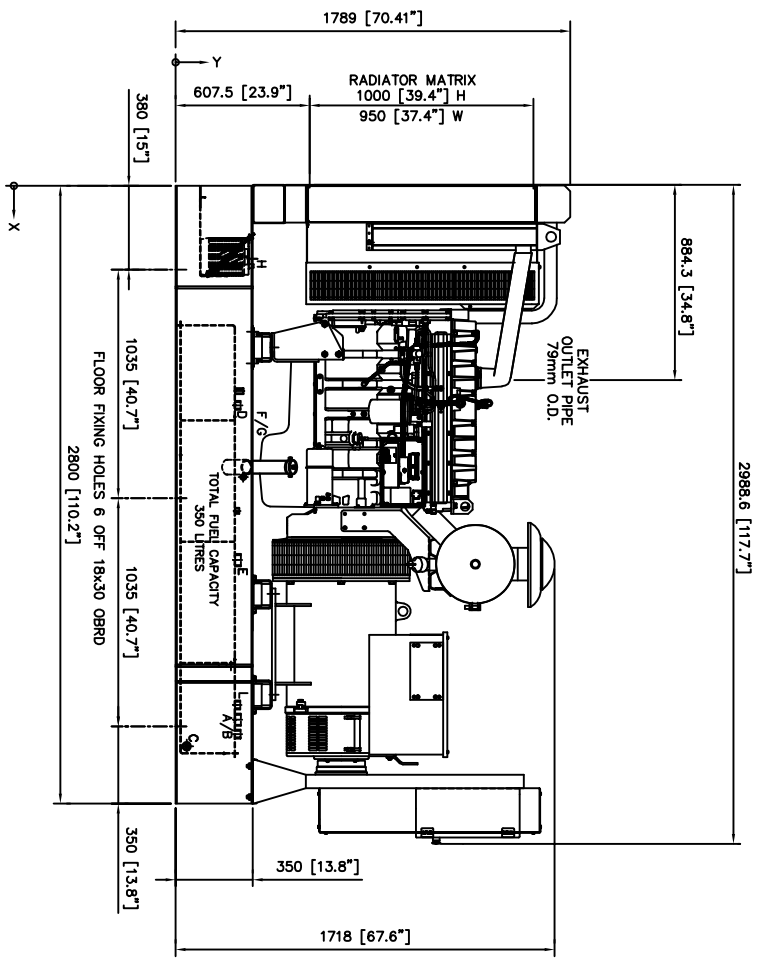


ITEM	DESCRIPTION	DIM' X	DIM' Y	DIM' Z
A	REMOTE FILL 1" BSP SOCKET	2445	270	290
B	REMOTE RETURN 1" BSP SOCKET	2390	270	745
C	FUEL DRAIN 1 1/2" BSP SOCKET	2510	50	114
D	FUEL SWITCH 1" BSP SOCKET	965	270	735
E	FUEL GAUGE	1681	270	262
F	ENGINE BREATHER	1090	350	48
G	LUB OIL DRAIN 1/2" BSP	1090	306	943
H	RADIATOR DRAIN 1/4" BSP	300	350	33



GENSET	WEIGHT (KG)	CENTRE OF GRAVITY
WITH OIL (WITH OIL & WATER)		DIM X DIM Y
1306E1215/LL3014H	1865	1902 1544 845
1306E1215/LL5014H	2025	2062 1602 837
1306E1215/LL5014J	2090	2127 1629 834
1306C-E87TAG4/LL3014H	1940	1977 1524 849
1306C-E87TAG4/LL5014F	2015	2062 1565 846
1306C-E87TAG4/LL5014J	2165	2202 1608 838
1306C-E87TAG4/LL5014H	2100	2137 1582 841
1306C-E87TAG6/LL5014J	2215	2262 1603 839
1306C-E87TAG6/LL5014L	2335	2372 1653 835
1306C-E87TAG4/LL5014F	1965	1987 1565 846
1306C-E87TAG4/LL5014H	2050	2072 1582 841
1306C-E87TAG6/LL5014H	2100	2122 1603 839

* FITTED WITH NEW RADIATOR

ITEM	DESCRIPTION	REV/NO	BY	DATE
F	UPDATED LLS014 TO LLS014H WITH NEW RADIATOR & WEIGHT TABLE	37490	R.P.	02/09/12
E	UPDATED WEIGHT TABLE WITH DATA FOR NEW RADIATOR INTRODUCTION	34903	Q.L.	20/07/11
D	DRAWING AMENDED TO REFLECT INTRODUCTION OF EAST PENN BATTERY	32797	Q.M.L.	11/10/10
C	EIZ MODIFICATIONS ADDED	27364	M.P.	02/07/07
B	NEW RAD/ENG MOUNTING DETAIL & TITLE UPDATED.	20810C	D.M.	28/07/02
A	FIRST ISSUE	-	-	-

<p>TOLERANCES EXCEPT WHERE OTHERWISE STATED</p> <p>0 - 50mm ± 0.1mm 50 - 100mm ± 0.15mm OVER 100mm ± 0.2mm ANGLES ± 0.5mm</p>		<p>DO NOT SCALE</p>	
<p>THIS DRAWING IS UNCONTROLLED UNLESS OTHERWISE STATED</p>		<p>APPROVED BY: <i>S. Wilby</i></p>	
DRN. BY	Y.C.TAN	TITLE	G.A. OF COMPACT OPEN GENSET ON NON UL BASE WITH 1300 SERIES ENG & LL5000/5000 SERIES ALI.
DATE	30/08/99	SHEET	A1
APPR. BY	<i>S. Wilby</i>	ORIGINAL SCALE	1:12.5
DATE	04/08/2012	DRAWING NO.	MCA44598
		ISSUE	F