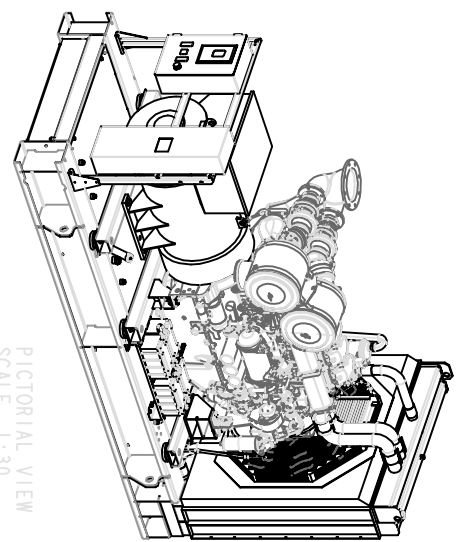
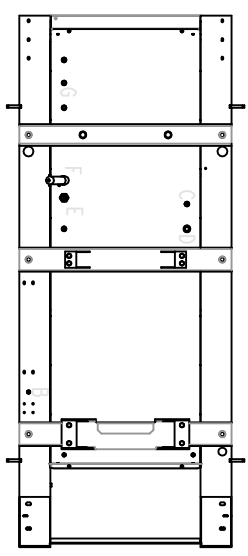


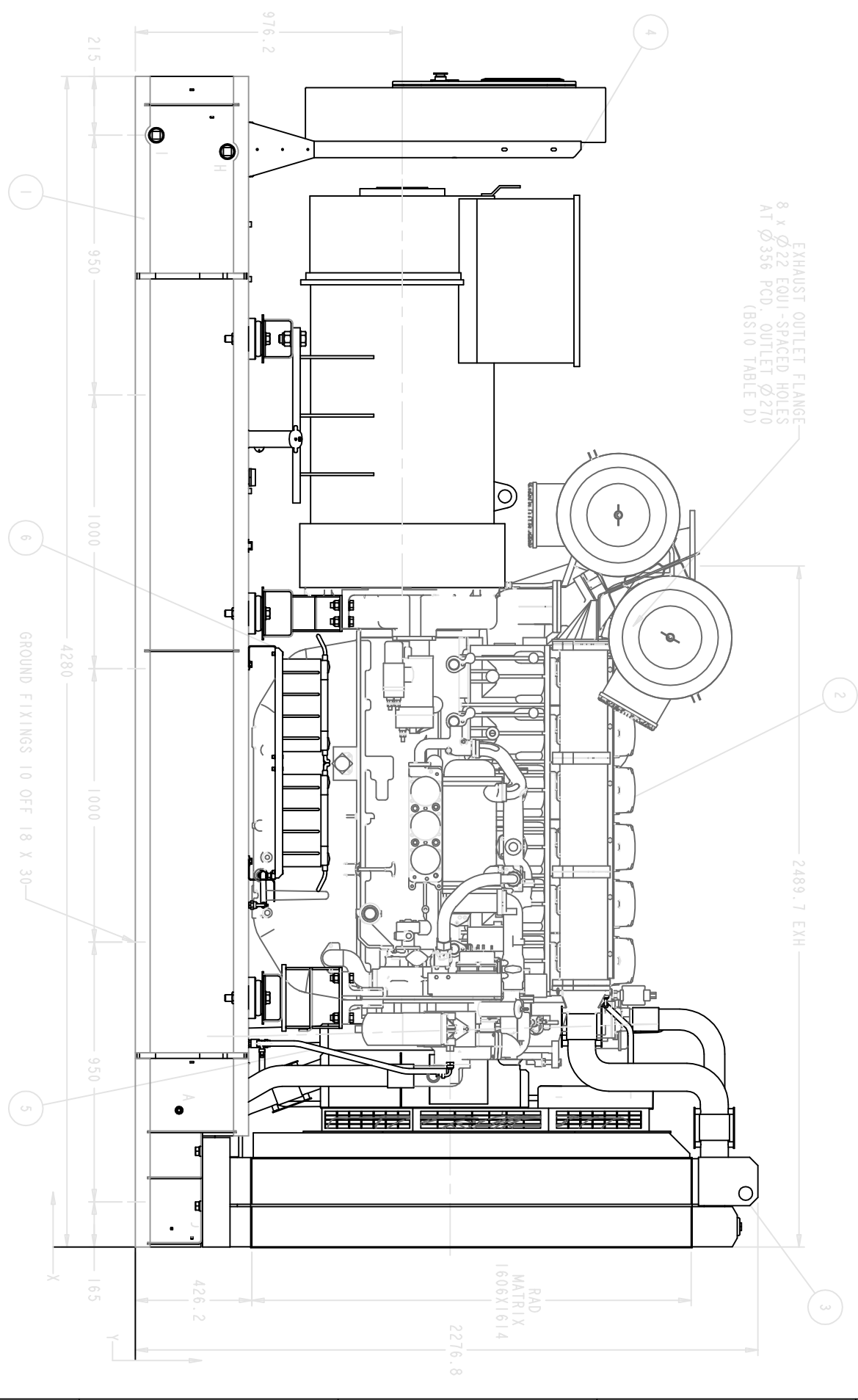
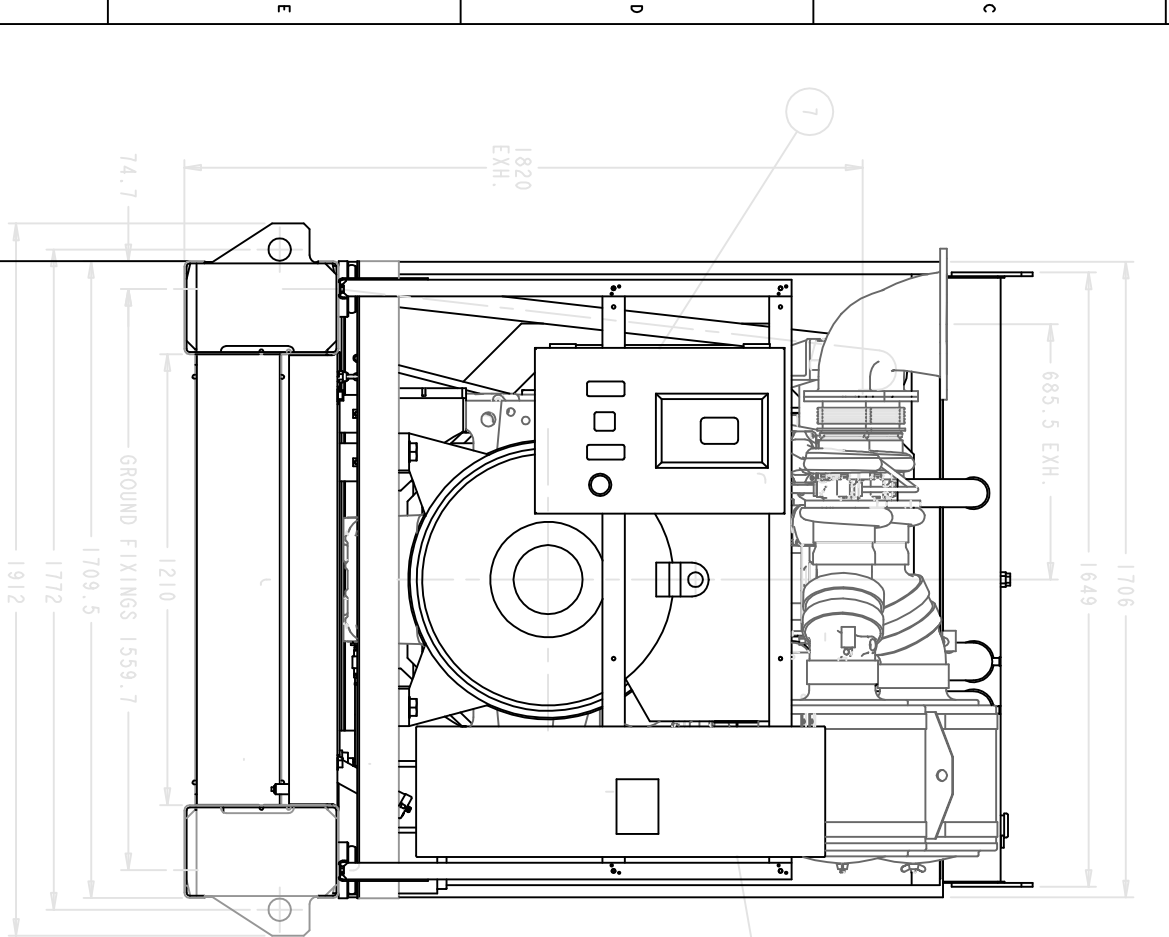
DESCRIPTION	SOCKET	DIM X	DIM Y	DIM Z	FITTING
COOLANT_DRAIN	A	500	168	1485	3/4" BSP
LUBE_OIL_DRAIN	B	1251	414	1644	3/4" BSP
REMOTE_FUEL_RETURN	C	2564	410	360	1/2" BSP
REMOTE_FUEL_FILL	D	2764	407	360	1" BSP
FUEL_GAUGE	E	2814	408	1349	N/A
FUEL_FILL	F	2954	592	1466	N/A
FUEL_VENT	G	3539	407	1349	1" BSP
TANK_OVERFLOW	H	4005	338	1491	1/2" BSP
TANK_DRAIN	I	4065	78	1491	1/2" BSP

GENSET	WEIGHT (Kg)
WITH OIL	5839
WITH OIL & COOLANT	5950
P650P1 / P725E1	6059
P730P1 / P800E1	6170
P800P1 / P900E1	6259
6370	

TANKBASE	CAPACITY
STANDARD	1494L TOTAL / 1412L USEABLE



ITEM QTY	DESCRIPTION	DWG / PART NO.
1	BASE GROUP	MG55745
2	ENGINE/ALTERNATOR COMBINATIONS	MG53864
3	RADIATOR GROUP	MG55746
4	PANEL STAND GROUP	MG55748
5	FUEL LINE / BREATHER ARRANGEMENT	MG55788
6	BATTERY TRAY GROUP	MG55791
7	CONTROL PANEL	-
8	CIRCUIT BREAKER	-
9	LUBE OIL DRAIN ARRANGEMENT	MG55789
10	COOLANT DRAIN ARRANGEMENT	MG55790
11	COUPLING ARRANGEMENT	MG53395
12	EXHAUST SILENCERS GROUP	MG55838
13	EG HEAT GUARDS	MG55829
14	CHARGE AIR PIPEWORK GUARDS	MG55824
15	ENGINE WIRING GROUP	MG55793
16	ALTERNATOR WIRING GROUP	MG54138
17	SENDERS AND SENSORS UPFIT	MG54312
18	DECAL ARRANGEMENT - UNIVERSAL LABELS	MG54211
19	DECAL ARRANGEMENT - BRAND LABELS	MG53424



PRO-E MODEL PROBLEMS FIXED	23824 R.M.	10/08/05
TANKBASE REVISED	23182 R.E.	11/03/04
FIRST ISSUE	22759 R.G.	1/12/03

DRN. BY	WM GRAHAM	TITLE	4006-23 SERIES COMPACT
DATE	16-Oct-03	GENERAL ARRANGEMENT	
TOLERANCES EXCEPT WHERE OTHERWISE STATED		THIS DRAWING IS COPYRIGHTED AND MAY BE COPIED ONLY FOR THE PURPOSES OF MAINTAINING THE PURCHASED EQUIPMENT BY THE PURCHASER	
500 - 500mm ± 1mm		ALL DIMENSIONS IN MILLIMETRES UNLESS OTHERWISE STATED	
OVER 2000mm ± 3mm		3rd ANGLE PROJECTION	
STRUCTURAL ± 5mm			
ANGULAR ± 1°			
DO NOT SCALE			
SHEET SIZE A1		DRAWING NO/ISSUE: MGA6378	
ORIGINAL SCALE 1:10			