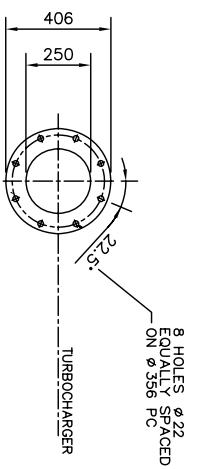


ITEM QTY.	AUXILIARY CONNECTORS	DIM. X	DIM. Y	DIM. Z
A 1	RAD. DRAIN OUTLET 3/4" BSP RHS	893	160	151
B 1	RAD. DRAIN OUTLET 3/4" BSP LHS	893	160	151
C 1	FUEL SUPPLY 3/4" BSP RHS	1829	1657	280
D 1	FUEL RETURN 3/4" BSP RHS	1980	1657	280
E 1	OIL DRAIN OUTLET 1" BSP RHS	1829	1657	99
F 1	DRIP TRAY OUTLET 3/4" BSP LHS	3433	508	51
G 1	DRIP TRAY OUTLET 3/4" BSP RHS	2433	1657	51

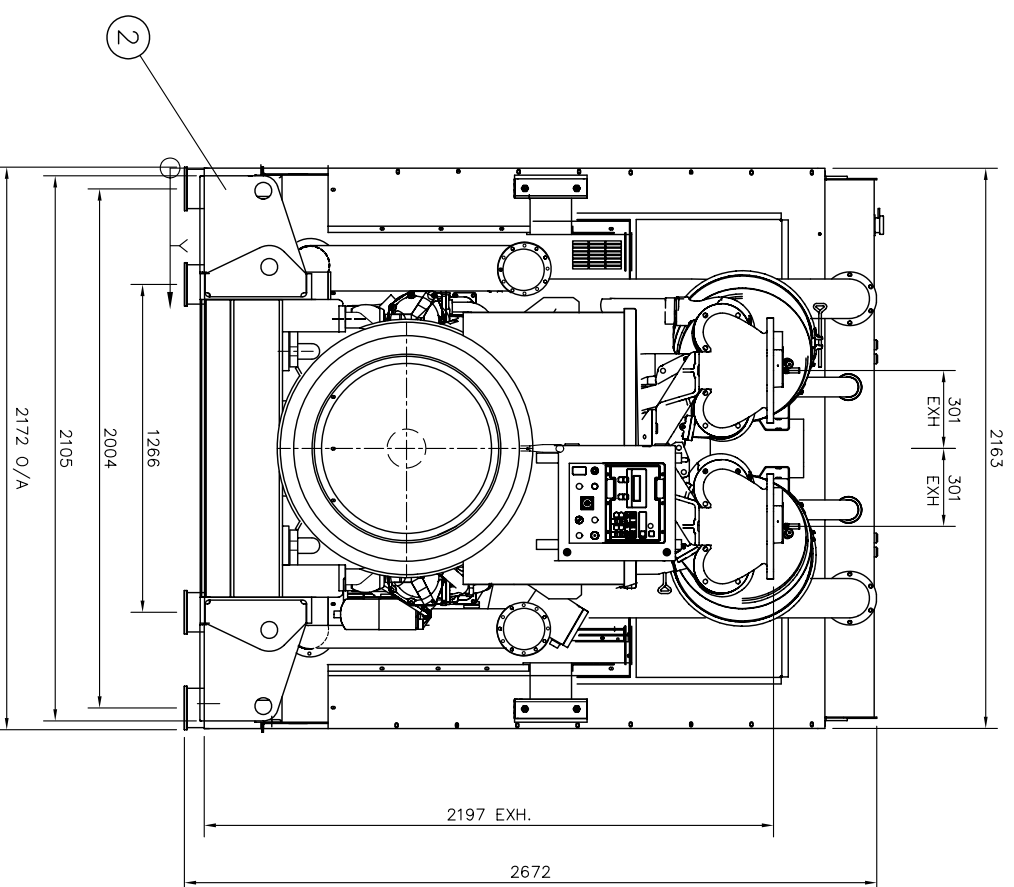
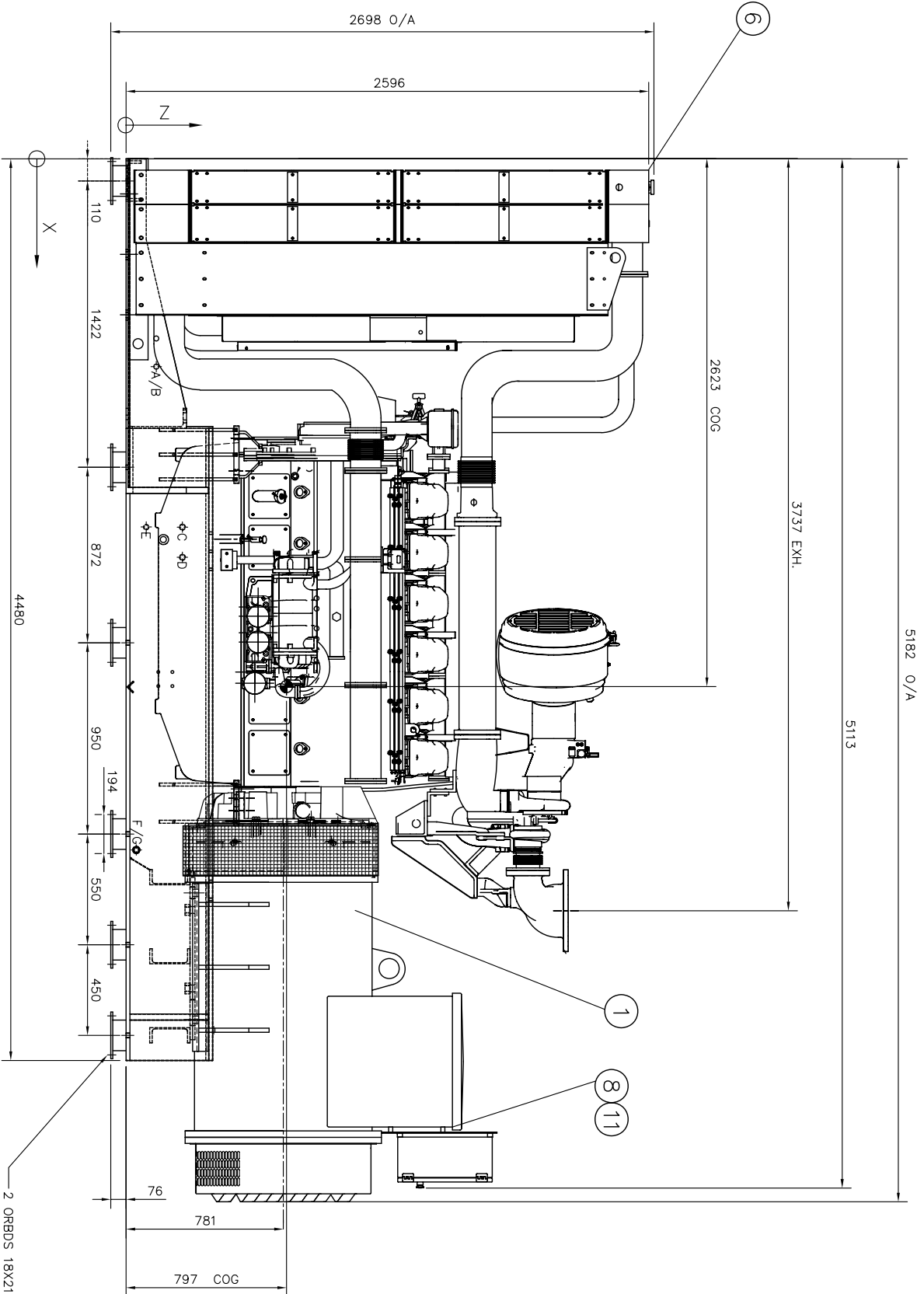
WEIGHT (kg)		
(DRY)	(WITH OIL)	(WITH OIL & WATER)
11813	11963	12173



DETAIL OF EXHAUST OUTLET FLANGE

ITEM QTY.	DESCRIPTION	DRG./PART NO.
1	ENGINE/ALTERNATOR COMBINATION	MGS3864
2	SKIDBASE GROUP	296-5598
3	MOUNTING GROUP	291-6083
4	FUEL LINE GROUP	MGS4338
5	BATTERY GROUP	MGS4217
6	RADIATOR GROUP	291-6113
7	RADIATOR MOUNTING GROUP	295-8202
8	CONTROL PANEL (IF FITTED)	-
9	BREAKER (IF FITTED)	-
10	COUPLING GROUP	MGS4212
11	PANEL UPFIT GROUP	MGS4336
12	SENDERS GROUP	MGS4312
13	EIM ASSY GROUP	MGS2414
14	HAZARD LABELS GROUP	MGS4211

* ITEMS NOT SHOWN



ISSUE	DESCRIPTION	EGR/DOOR	BY	DATE
1	ADDED COG / MODIFIED WEIGHTS		SG	04/06/10
2	CHARGE AIR PIPE LOCATION UPDATED		A.D.	06/03/09
3	DETAIL OF EXHAUST OUTLET FLANGE AMENDED		L.M.	30/01/08
4	ADDED POWER WIZARD PANEL AND REMOVED MGS245		R.P.	28/06/07
5	WEIGHTS ADDED / RADIATOR GROUPS MODIFIED		M.P.	15/05/07
6	CALLOUT TABLE FIXED		M.P.	15/09/06
7	FIRST ISSUE			

DO NOT SCALE

ALL DIMENSIONS IN MILLIMETRES UNLESS OTHERWISE STATED

3rd ANGLE PROJECTION

DRN. BY: DATE: 09/08/06

TITLE: G.A. OF 4012TAG3A WITH L9124H ALT. OPEN SKIDBASE GENSET - TAG3A TROPICAL RAD

SHEET SIZE: A1 ORIGINAL SCALE: 1:15 DRAWING NO.: MGA7146 ISSUE: G