

ITEM QTY.	AUXILIARY CONNECTORS	DIM. X	DIM. Y	DIM. Z
A 1	RAD. DRAIN OUTLET 3/4" BSP RHS	340	1716	100
B 1	RAD. DRAIN OUTLET 3/4" BSP LHS	340	83	100
C 1	FUEL SUPPLY 3/4" BSP RHS	1647	1533	280
D 1	FUEL RETURN 3/4" BSP RHS	1797	1533	280
E 1	OIL DRAIN OUTLET 1" BSP RHS	1703	1533	143
F 1	DRIP TRAY OUTLET 3/4" BSP RHS	3251	382	50
G 1	DRIP TRAY OUTLET 3/4" BSP LHS	3251	1533	50

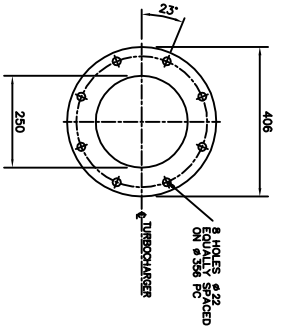
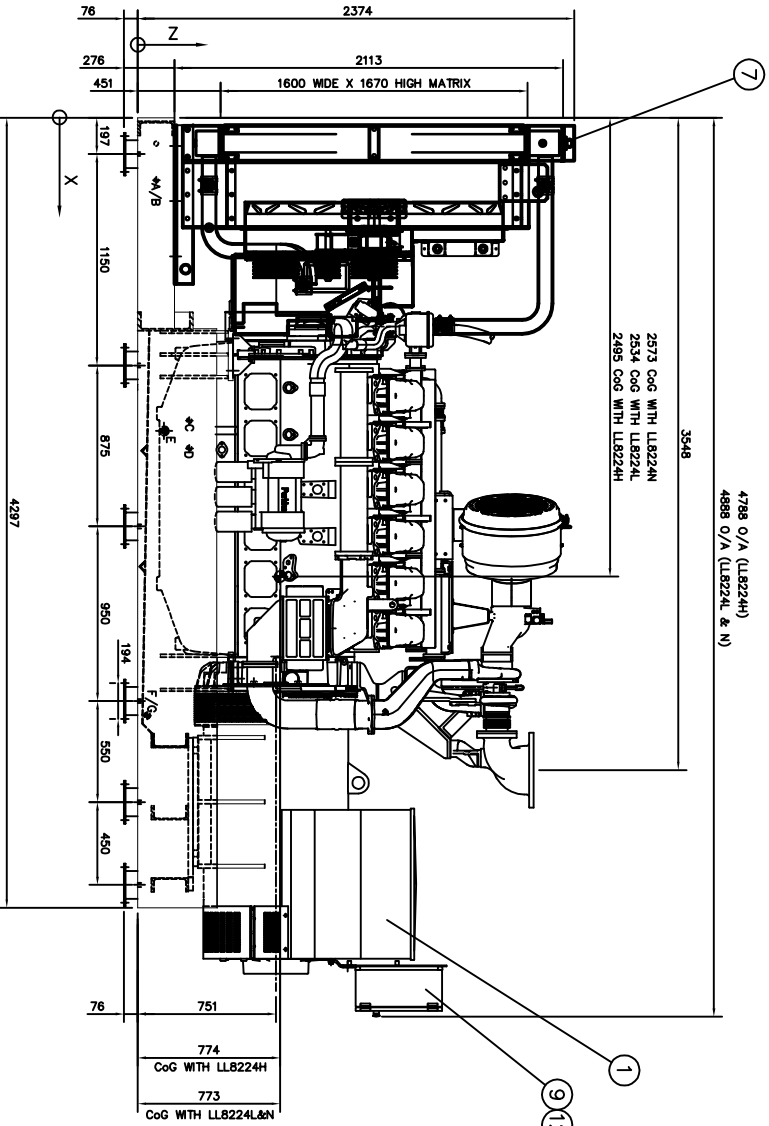
* ITEMS NOT SHOWN FOR CLARITY

WEIGHT (kg) WITH LL8224H ALTERNATOR (DRY)	(WITH OIL)	WEIGHT (kg) WITH LL8224H ALTERNATOR (WITH OIL & WATER)
8733	8893	9079

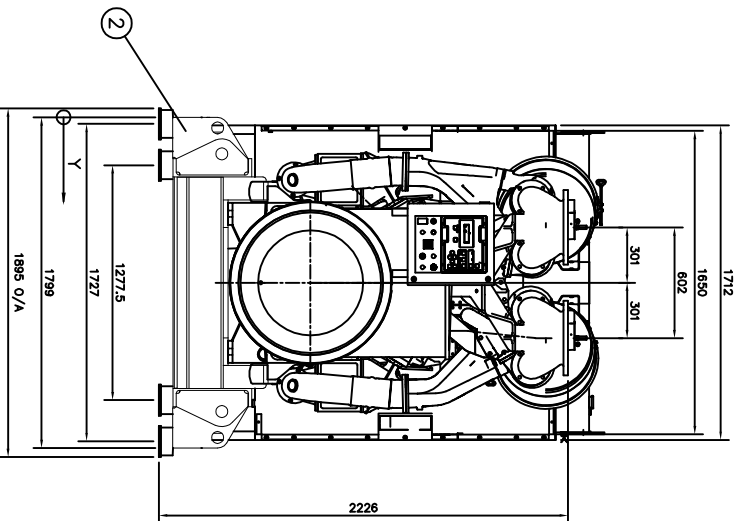
WEIGHT (kg) WITH LL8224L ALTERNATOR (DRY)	(WITH OIL)	WEIGHT (kg) WITH LL8224L ALTERNATOR (WITH OIL & WATER)
9096	9246	9447

WEIGHT (kg) WITH LL8224H ALTERNATOR (DRY)	(WITH OIL)	WEIGHT (kg) WITH LL8224H ALTERNATOR (WITH OIL & WATER)
9346	9496	9697

4788 O/A (LL8224H)
4888 O/A (LL8224L & N)



DETAIL OF EXHAUST OUTLET FLANGE
(B.S.10 TABLE D)
SCALE 1:1.5



ITEM QTY.	DESCRIPTION	DRG./PART NO.
1	ENGINE/ALTERNATOR COMBINATION	MGS3864
2	SKIDBASE GROUP	296-5594
3	MOUNTING GROUP	291-6093
4	FUEL LINE GROUP	MGS4338
5	BATTERY GROUP	MGS4217
6	RADIATOR GROUP (TWG 2A TEMPERATURE)	304-6421
7	RADIATOR GROUP (TWG 2A TROPICAL/3A TEMPERATURE)	291-6119
8	RADIATOR MOUNTING GROUP	295-8202
9	CONTROL PANEL (IF FITTED)	-
10	BREAKER (IF FITTED)	-
11	COUPLING GROUP	MGS4212
12	PANEL UPFIT GROUP	MGS4336
13	SENDERS GROUP	MGS4312
14	ELM. ASSY GROUP	MGS2414
15	HAZARD LABELS GROUP	MGS4211
16	RAW BRAND LABELS GROUP	MGS3425

* ITEMS NOT SHOWN

ITEM QTY.	DESCRIPTION	REV/ISS	BY	DATE
1	ISSUE	-	-	-

AWM POSITIONS AND PANEL LOCATION CORRECTED	34449	LC	22/09/11
WEIGHTS UPDATED AND CG DIMENSIONS ADDED	31387	LB	20/07/10
RADIATOR GROUP UPLOADED / EXHAUST OUTLET FIXED	28881	M.P.	11/02/08
WEIGHTS ADDED / RADIATOR GROUPS MOVED	27130	M.P.	15/06/07
FIRST ISSUE	-	-	-

TOLERANCES EXCEPT WHERE OTHERWISE STATED	WHEN OTHERWISE STATED
0 - 25mm	± 0.10mm
25 - 50mm	± 0.15mm
50 - 100mm	± 0.20mm
100 - 250mm	± 0.30mm
250 - 500mm	± 0.40mm
500 - 1000mm	± 0.50mm
1000 - 2500mm	± 0.75mm
2500 - 5000mm	± 1.00mm
5000 - 10000mm	± 1.50mm
10000 - 25000mm	± 2.00mm
25000 - 50000mm	± 3.00mm
50000 - 100000mm	± 4.00mm
100000 - 250000mm	± 5.00mm
250000 - 500000mm	± 7.00mm
500000 - 1000000mm	± 10.00mm

DO NOT SCALE	ALL DIMENSIONS IN MILLIMETRES UNLESS OTHERWISE STATED
THIS DRAWING IS COMPUTER GENERATED AND MAY BE CORRECTED WITHOUT NOTICE BY THE PURCHASER.	THIS DRAWING IS COMPUTER GENERATED AND MAY BE CORRECTED WITHOUT NOTICE BY THE PURCHASER.

DRN. BY	DIMENSION	TITLE
DATE	25/10/06	G.A. OF 4012TWG2A TEMP & TRCP / TWG3A TEMP OPEN SKIDBASE GENSET - WITH LL8224H ALT.
APPRD. BY	Jim Brown	SHEET NO.
DATE	15/11/2011	SCALE
		1:1.5
		DRAWING NO.
		MGA7185
		ISSUE
		E