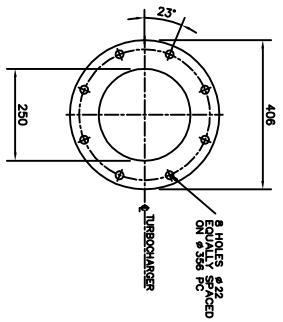
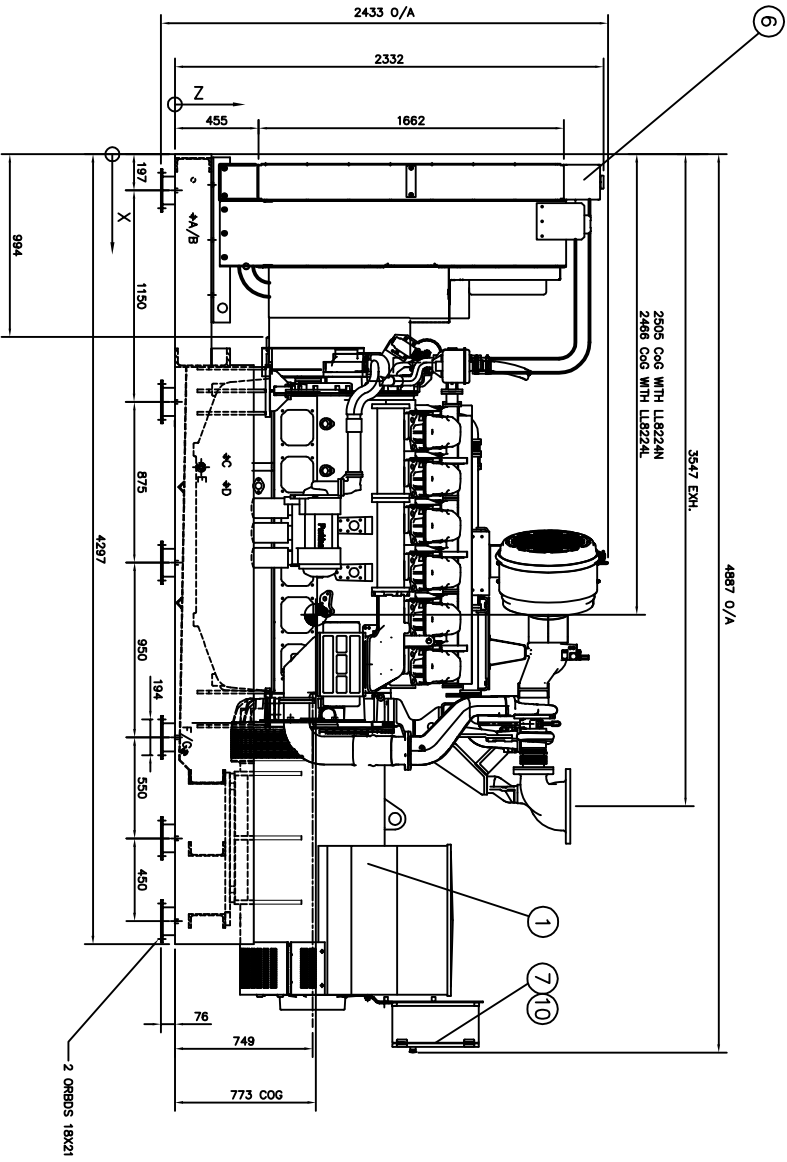


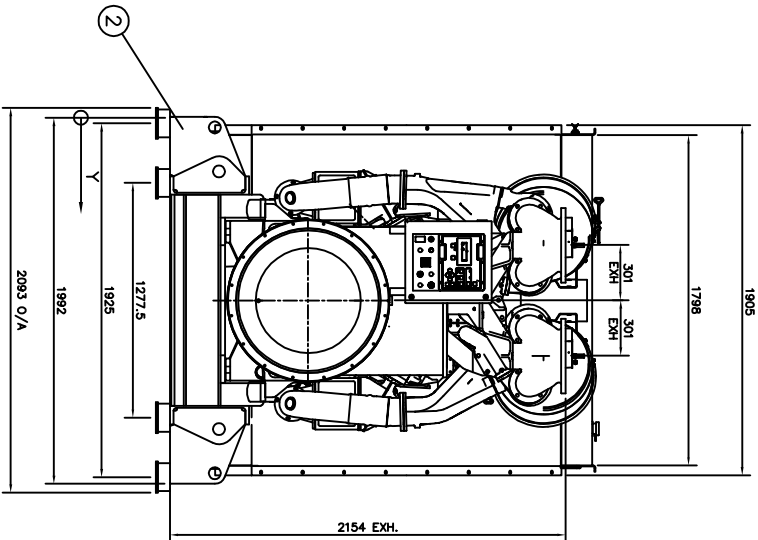
ITEM QTY.	AUXILIARY CONNECTORS	DIM. X	DIM. Y	DIM. Z
A 1	RAD. DRAIN OUTLET 3/4" BSP RHS	340	1914	100
B 1	RAD. DRAIN OUTLET 3/4" BSP LHS	340	83	100
C 1	FUEL SUPPLY 3/4" BSP RHS	1647	1584	280
D 1	FUEL RETURN 3/4" BSP RHS	1787	1584	280
E 1	OIL DRAIN OUTLET 1" BSP RHS	1703	413	143
F 1	DWP TRAY OUTLET 3/4" BSP LHS	3451	413	50
G 1	DWP TRAY OUTLET 3/4" BSP RHS	3251	1584	50

WEIGHT (kg) WITH LB8224N ALTERNATOR (DRY)	(WITH OIL)	(WITH OIL & WATER)
9459	9608	9810

WEIGHT (kg) WITH LB8224N ALTERNATOR (DRY)	(WITH OIL)	(WITH OIL & WATER)
9209	9359	9560



DETAIL OF EXHAUST OUTLET FLANGE
(B.S.10 TABLE D)
SCALE 1:2



ITEM QTY.	DESCRIPTION	DWG./PART NO.
1	ENGINE/ALTERNATOR COMBINATION	366-4300
2	SKIDBASE GROUP	296-5602
3	MOUNTING GROUP	291-6093
4	FUEL LINE GROUP	MGS4338
5	BATTERY GROUP	367-4953
6	RADIATOR GROUP	291-6120
7	CONTROL PANEL (IF FITTED)	-
8	BREAKER (IF FITTED)	-
9	COUPLING GROUP	MGS4412
10	PANEL UPLIFT GROUP	MGS4336
11	SENDERS GROUP	MGS4312
12	HAZARD LABELS GROUP	MGS4211
13	RAW BRAND LABELS GROUP	MGS3425
14	RADIATOR MOUNTING GROUP	295-8202

* ITEMS NOT SHOWN

ITEM QTY.	WEIGHTS AND COG FOR LB8224N ALT ADDED. PARTS LIST UPLOADED	37297	J.C.	21/08/12
D	AVM POSITIONS AND PANEL LOCATION CONNECTED	34849	J.C. <td>22/08/11</td>	22/08/11
B	INCLUDED WEIGHTS AND COG	31883	SD	04/06/10
A	FIRST ISSUE	-	-	-
ISSUE DESCRIPTION	ISSUE	BY	DATE	

TOLERANCES EXCEPT WHERE OTHERWISE STATED
0 - 50mm ± 0.1mm
50 - 100mm ± 0.15mm
100 - 200mm ± 0.2mm
200 - 500mm ± 0.3mm
500 - 1000mm ± 0.5mm
OVER 1000mm ± 1.0mm

DO NOT SCALE

THIS DRAWING IS COMPUTER GENERATED AND MAY BE CORRECTED OR REVISED WITHOUT NOTICE BY THE PURCHASER.

DRN. BY	DIMENSION	TITLE
DATE	20/10/06	G.A. OF 40121WCSJA WITH LB8224 ALT.
APPD. BY	Jim Brown	OPEN SKIDBASE GENSET - TROPICAL RADIATOR
DATE	21/08/2012	

DRN. BY	DIMENSION	TITLE
DATE	20/10/06	G.A. OF 40121WCSJA WITH LB8224 ALT.
APPD. BY	Jim Brown	OPEN SKIDBASE GENSET - TROPICAL RADIATOR
DATE	21/08/2012	

SHEET	ORIGINAL	DRAWING NO.	ISSUE
A1	1:15	MG47191	D