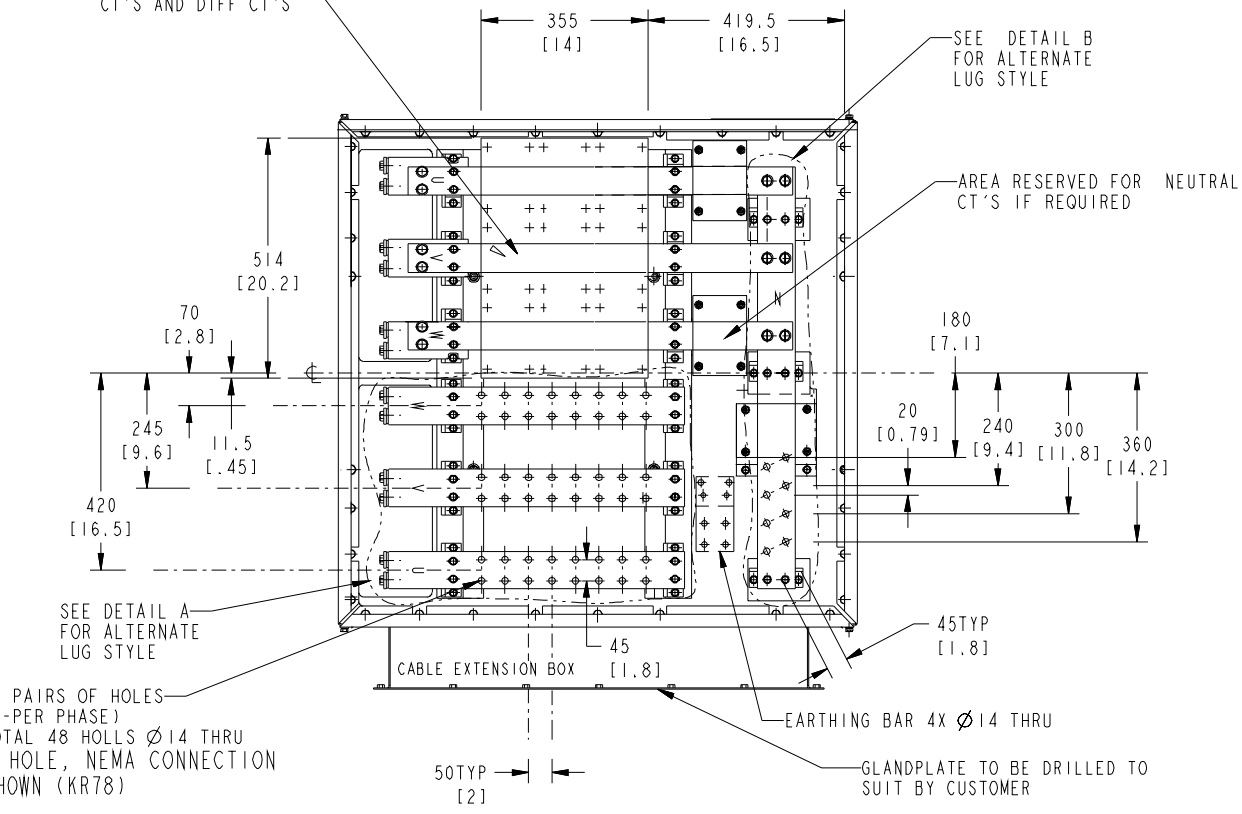


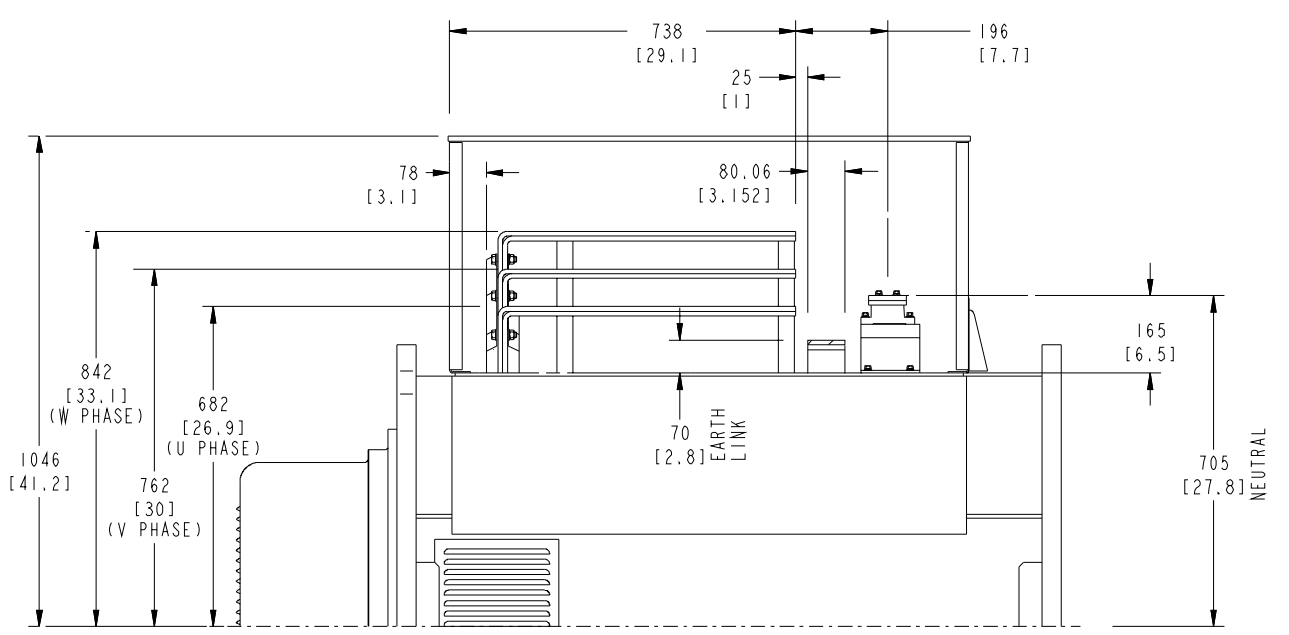
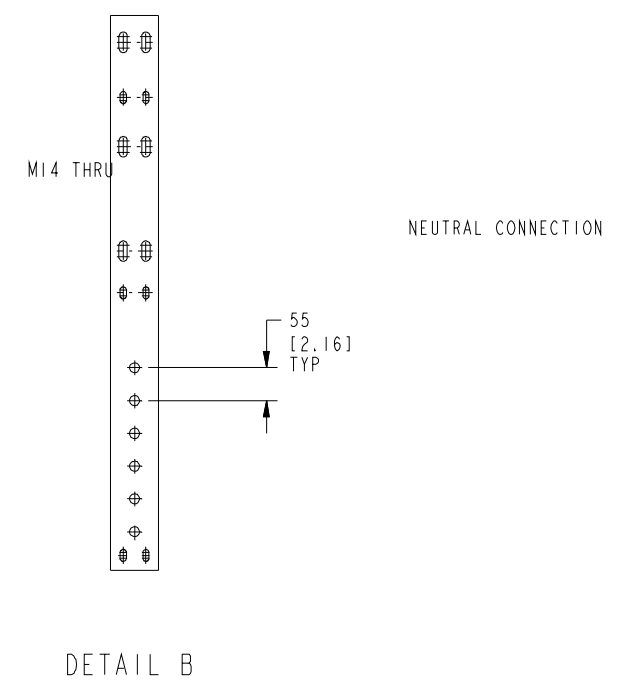
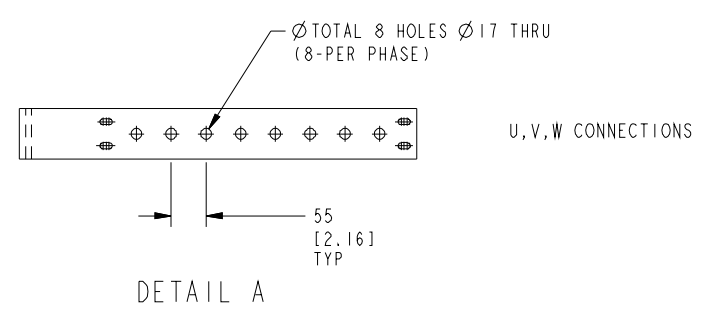
REL NO	LTR	NO	REVISION	ZONE	DR	CHKR	APPROVED	DATE
FRD17478	A	1	PRODUCTION RELEASE	-	MTA	BH	HENNING	08-01-03
FRD19449	B	4	ADDED NEWAGE 1 HOLE LUG VIEWS	-	MTA	BH	HENNING	02-10-04
FRD20897	C	1	UPDATE EARTHING BAR PICTORIALY	5C	GWH	BH	HENNING	07-19-04
FRD20842	D	--	-----	--	----	----	----	----
FRD21946	E	--	-----	--	----	----	----	----

AREA RESERVED FOR CONTROL CT'S AND DIFF CT'S



24 PAIRS OF HOLES (8-PER PHASE) TOTAL 48 HOLS Ø14 THRU 2 HOLE, NEMA CONNECTION SHOWN (KR78)

ALTERNATE OUTPUT CONNECTION
NEWAGE 1 HOLE LUG (KR79)



LVSI 804 ALTERNATOR (P80)

TOLERANCE UNLESS OTHERWISE SPECIFIED		DIM		ITEM		DESCRIPTION OR MATERIAL		REF DIS	
mm		INCH		NAME		DATE		CUMMINS POWER GENERATION	
0.00	0.00	0.00	0.00	DR	M.T.ABEL	08-01-03	 CUMMINS POWER GENERATION 4000 75RD AVE NE MINNEAPOLIS, MINNESOTA 55432 TITLE: GENSET_OUTLINE (E043) SHEET: 6 of 7 Dwg No: 0500_3878		
.XX	0.08	.XX	0.003	CHR	B HENNING	08-01-03			
.XX	0.38	.XXX	0.015	APPROVED	B HENNING	08-01-03			
ANG TOL ± 1.0	0.00	4.99	16.151	0.00	0.04	0.00	0.006	0.03	FOR INTERPRETATION AND MODEL FIRST USED ON
SCALE OF	18.00	17.49	16.251	0.13	0.22	0.03	0.001	0.005	FOR INTERPRETATION AND TOLERANCING, SEE ANST 712.5M-1982
	11.50	24.99	18.301	0.13	0.04	0.00	0.002	0.005	