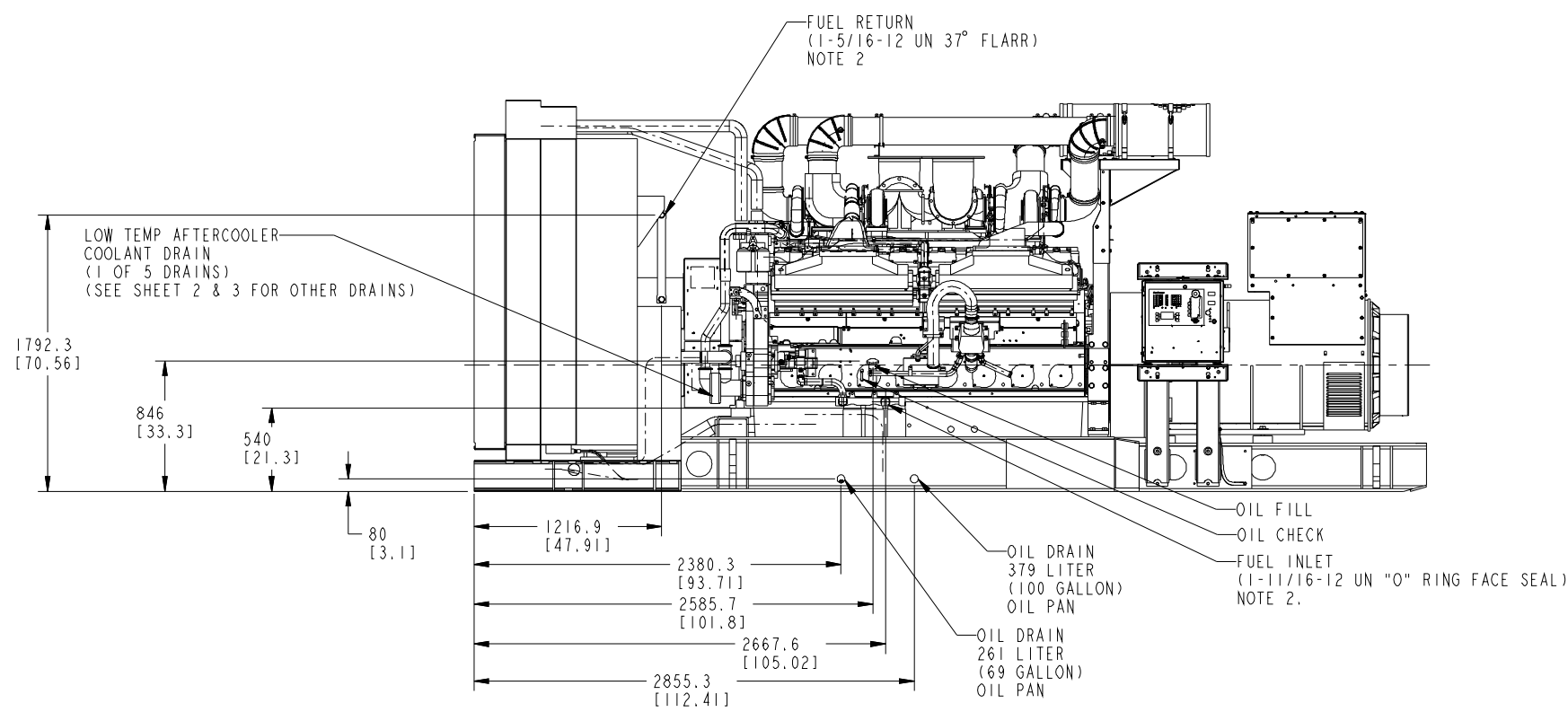
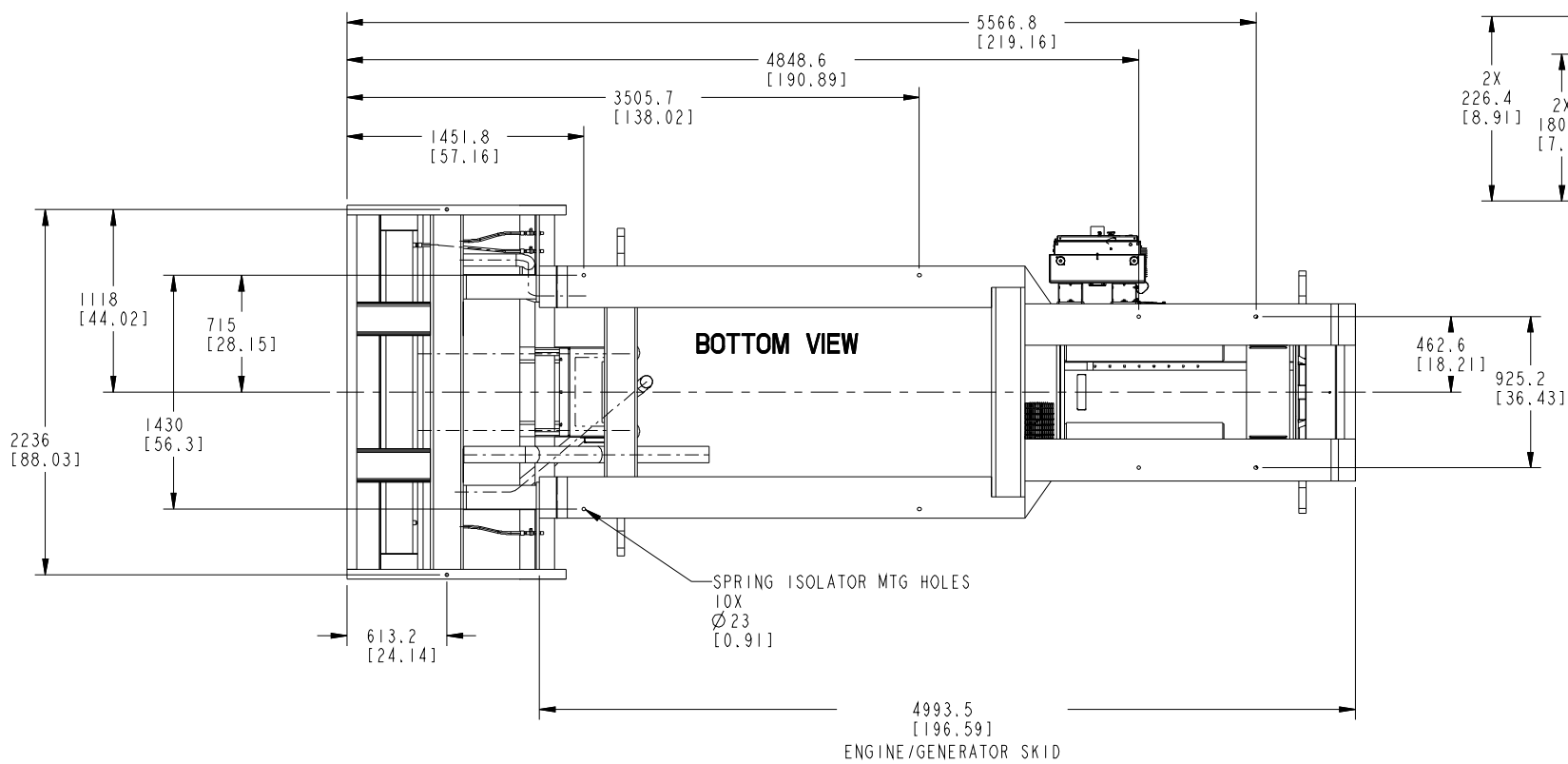
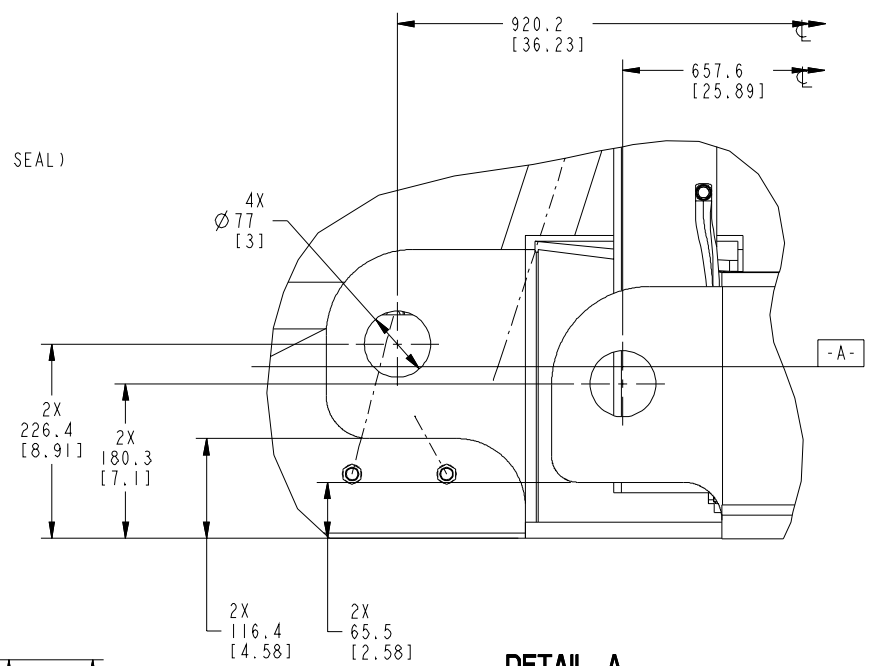


REL NO	LTR	NO	REVISION	ZONE	DR	CHKR	APPROVED	DATE
FRD19167	A	1	PRODUCTION RELEASE	-	MTA	BH	HENNING	01-15-04
FRD20897	B	-	-	-	-	-	-	-
FRD20842	C	-	-	-	-	-	-	-



NOTE:

- DIMENSIONS SHOWN IN [] BRACKETS ARE INCHES.
- FUEL INLET HOSE $\varnothing 22.2$ [$\varnothing .88$] X 1300 [51.2] LONG WITH 1-1 1/2 NPTF EXTERNAL FITTING.
FUEL OUTLET HOSE $\varnothing 22.2$ [$\varnothing .88$] X 2642 [104] LONG WITH 1-1 1/2 NPTF EXTERNAL FITTING.



RADIATOR COOLED

TOLERANCE UNLESS OTHERWISE SPECIFIED		DIM TO		ITEM PART NO		DESCRIPTION OR MATERIAL		REF DIS	
mm		inch		NAME		DATE		CUMMINS POWER GENERATION	
.0125		.0005		DR M.T.ABEL		01-15-04		4000 790D AVE NE MINNEAPOLIS, MINNESOTA 55432	
.025		.001		CHGR B.HENNING		01-15-04		TITLE GENSET_OUTLINE	
.050		.002		APPROVED B.HENNING		01-15-04		SITE CODE	
.100		.004		FOR INTERPRETATION OF DIMENSIONS AND TOLERANCES, SEE ANST 974, SM-1982		MODEL FIRST USED ON		SHEET 4 OF 7	
.150		.006		DQKB, KC, KD		PGA		D	