

16 15 14 13 12 11 10 9 8 7 6 5 4 3 2 1

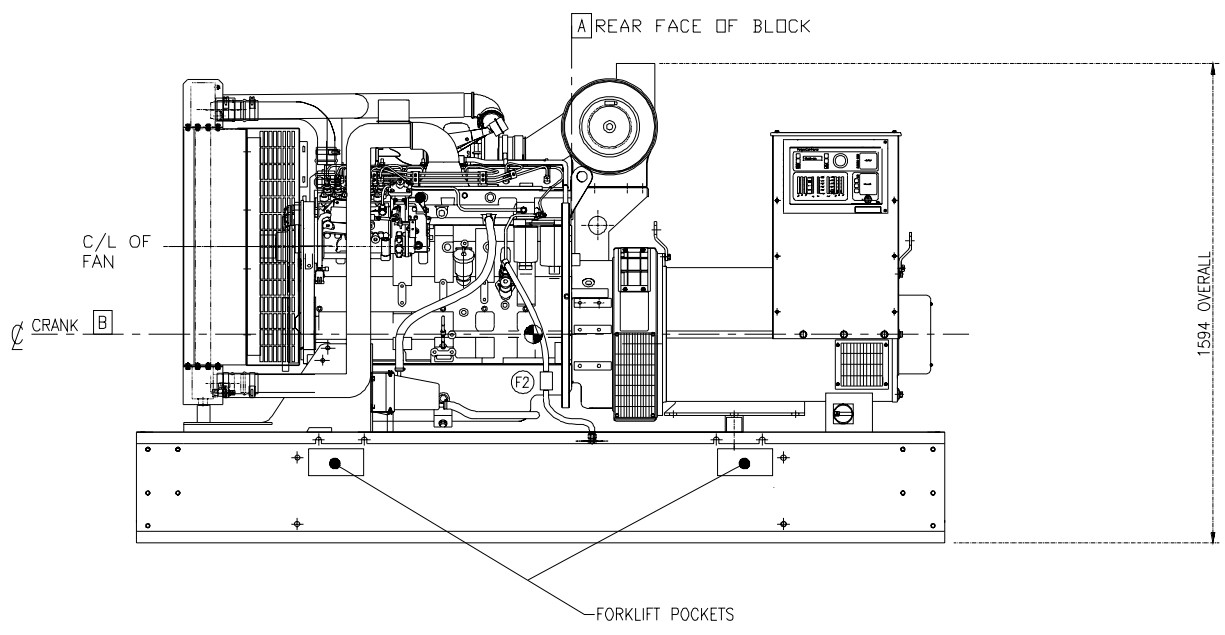
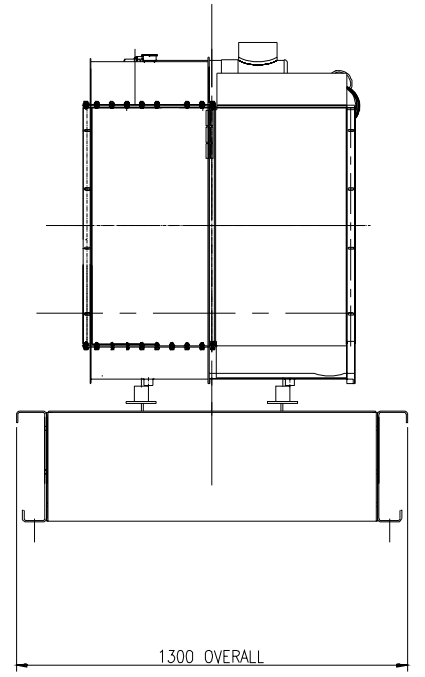
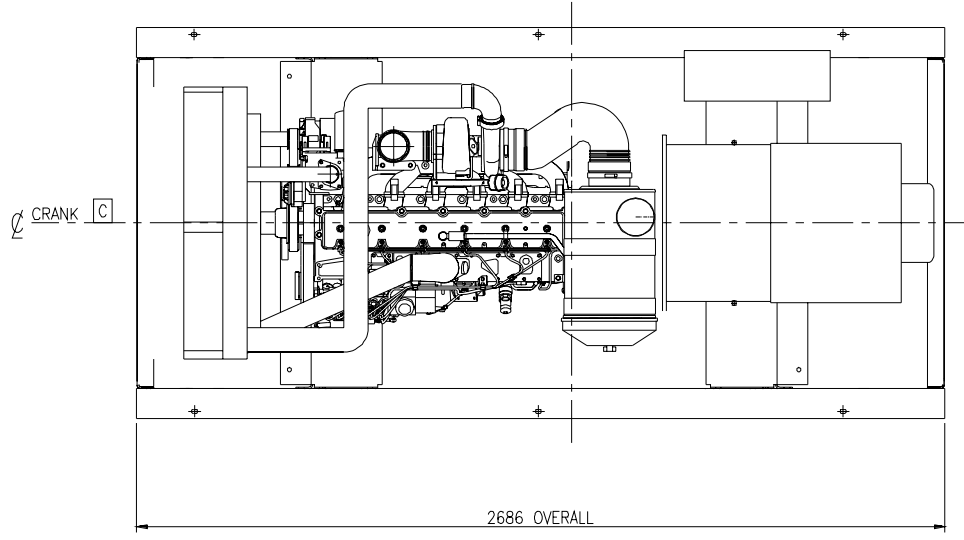
0500-3843 A1

REV. No.	DATE	BY	CHKD	APPROVED	DATE		
ERK12373	E 1	ADD SHEET 2	MG	SB	KINGHT	24/01/06	
ERK12907	F 2	DRAWING UPDATED PICTORALLY	90	NAD	DW	CONNOLLY	24/05/06

THIS MACHINE CAN ONLY BE SAFELY LIFTED USING THE FORK-LIFT POCKETS PROVIDED

NOTES:

- GENSET MUST ONLY BE LIFTED BY FORKLIFT USING POKETS PROVIDED.
- TERMS AND CONDITIONS CAN BE FOUND AT THE FOLLOWING :- www.cumminspower.com/terms



GENSET WITH HEAVY DUTY AIRCLEANERS

TOLERANCE UNLESS OTHERWISE SPECIFIED	SYMBOL TO BE USED	NAME	DATE	
±0.05	±0.05	DRAWN	J MATHEWS	04/06/03
±0.10	±0.10	CHECKED	A ANDREWS	04/07/03
±0.15	±0.15	APPROVED	J JONES	04/07/03

AutoCAD	DO NOT SCALE PRINT	ANGLE TOL. ±1.0°	SCALE: 1:10	FOR INTERPRETATION FIRST USED ON C200/220/250	PKG	SHEET 2 OF 2	ENC 1
---------	--------------------	------------------	-------------	---	-----	--------------	-------

Cummins Power Generation Columbus Avenue, Manston, Ramsgate Kent, CT12 5BF, England, UK		SITE CODE	
TITLE GENSET OUTLINE (6CTAA)		SHEET NO. 0500-3843	

16 15 14 13 12 11 10 9 8 7 6 5 4 3 2 1